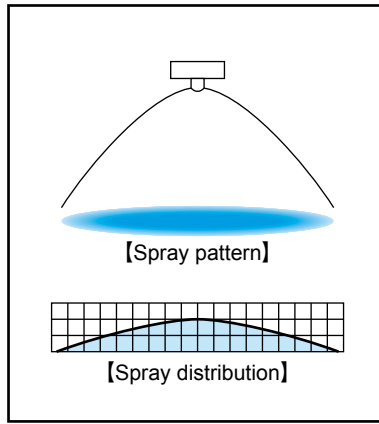


Ultra-Low Pressure Flat Spray Fine Fog Nozzles

BAVV

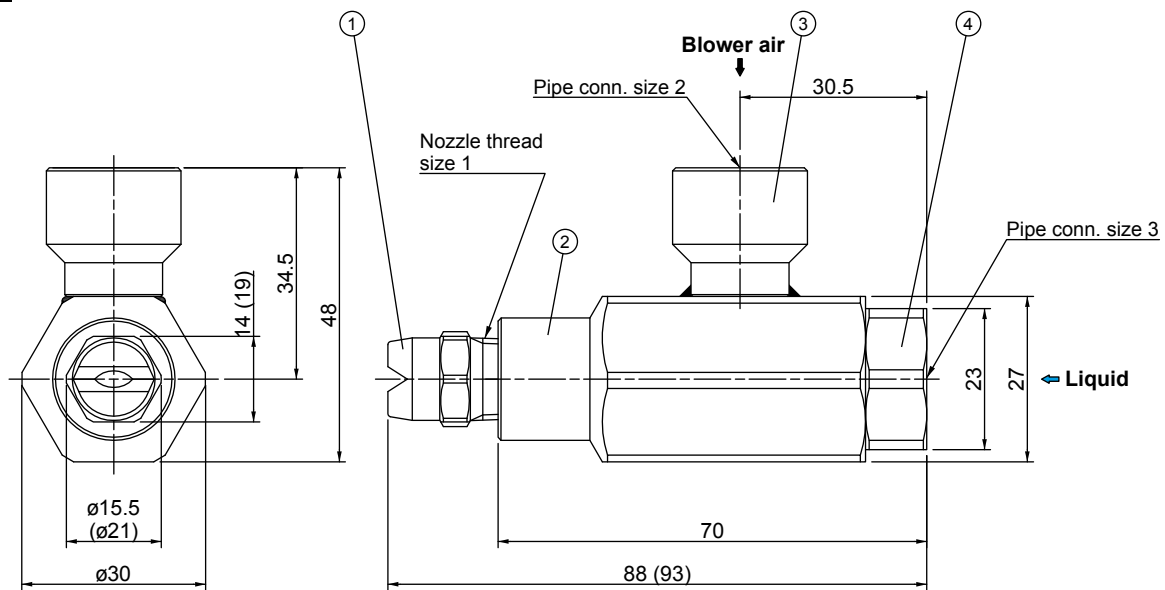


- Flat spray pneumatic nozzle producing fine atomization with a mean droplet diameter of 40 μm or more.*1
 - Low operating costs due to the use of blower air for atomization.
 - Large free passage diameter for minimal clogging.
- *1) Droplet diameter measured by laser Doppler method

APPLICATIONS

- Cleaning: Liquid crystal, glass substrate, printed circuit boards
- Cooling: Steel plates
- Dust suppression: Raw material conveyor line
- Moisture control: Paper making

DRAWING



Note:
 ■ Dimensions in () shows those for the model BAVV6060S303.
 ■ Appearance and dimensions may differ depending on nozzle codes and materials.

COMPONENTS AND MATERIALS

No.	Components	Standard materials
1	Nozzle body	S303
2	Mixing adaptor	S304
3	Air socket	S304
4	Liquid socket	S303

Unit: mm

DIMENSIONS PERFORMANCE DATA

Spray angle code*2	Spray capacity code	Nozzle thread size 1	Pipe connection sizes 2 & 3		Air pressure (MPa)	Spray capacity (L/hr) & Air consumption (L/min, Normal)						Free passage diameter (mm)			Mass (g)
						Liquid pressure (MPa)						Tip orifice	Adaptor		
						0.02		0.03		0.04			Liquid	Air	
						Liquid	Air	Liquid	Air	Liquid	Air				
60	10	R1/4	Rc3/8	Rc1/4	0.02	9.0	92	21.0	78	31.2	76	2.5	1.4	3.0	270
	30	R1/4				27.6	168	48.0	150	64.8	136	3.6	2.0		270
	60	R3/8				57.6	254	94.2	220	123	190	4.7	2.6		280

*2) Spray angle measured at both air and liquid pressure of 0.02 MPa

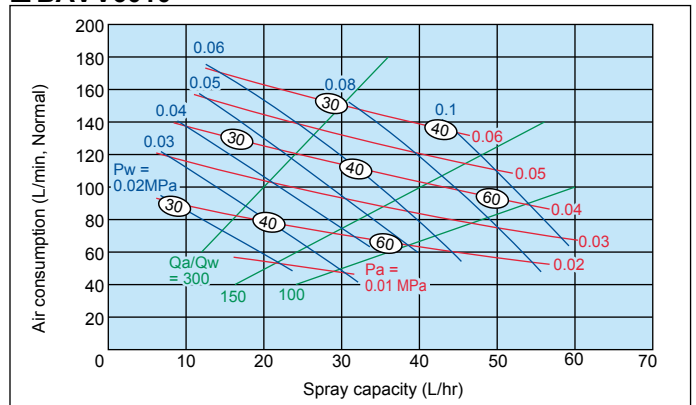
BAVV

FLOW-RATE DIAGRAMS

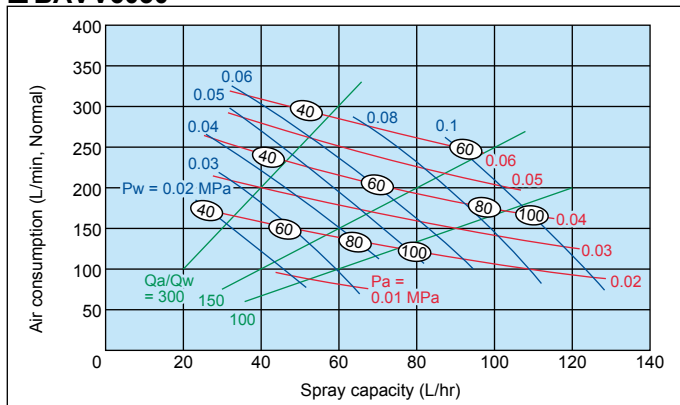
■ How to read the chart

1. The spray capacity shown is for one nozzle.
2. Red lines (—) represent blower air pressures Pa in MPa.
Blue lines (—) represent liquid pressures Pw in MPa.
Green lines (—) represent air-water ratio Qa/Qw.
3. Figures in ovals ○ indicate Sauter mean diameters (μm) measured by laser Doppler method.

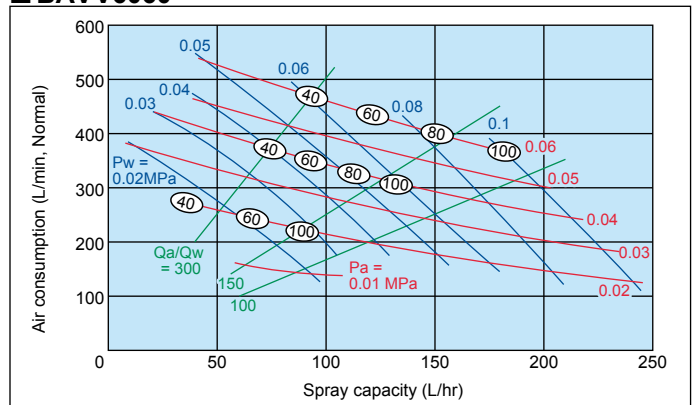
■ BAVV6010



■ BAVV6030



■ BAVV6060



HOW TO ORDER

Please inquire or order for a specific nozzle using this coding system.

<Example> BAVV 6010 S303

BAVV

60

Spray angle code

10

Spray capacity code

S303

Material of nozzle body

- 10
- 30
- 60