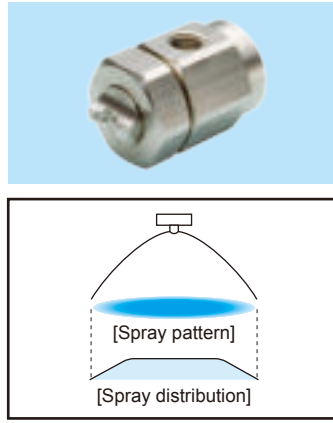


# Clog-resistant Fine Fog Nozzles Flat Spray

**SETOV**



- Flat spray pneumatic nozzle producing fine atomization. External mixing type.
- Liquid siphon feed type (liquid pressure device is not required). Use with a liquid pressure device is also possible.
- Spray capacity increases or decreases in proportion to the air pressure.
- No dripping from the nozzles when the spray shuts off.
- Spray ON/OFF controllable adaptor (type SP or SN) is available.

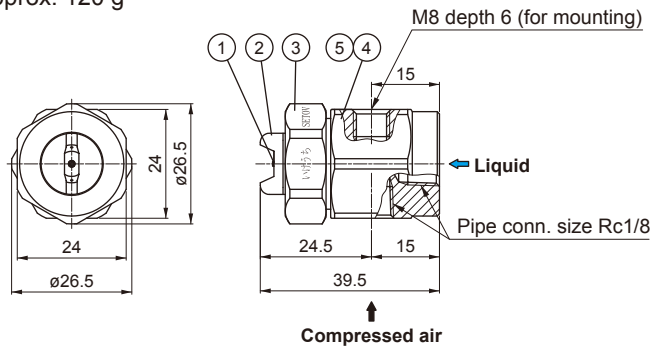
### APPLICATIONS

- Humidification in small spaces
- Disinfection in tight spaces
- Coating: flavoring

## DRAWING

### Adaptor type T

■ Weight: approx. 120 g



### COMPONENTS AND MATERIALS

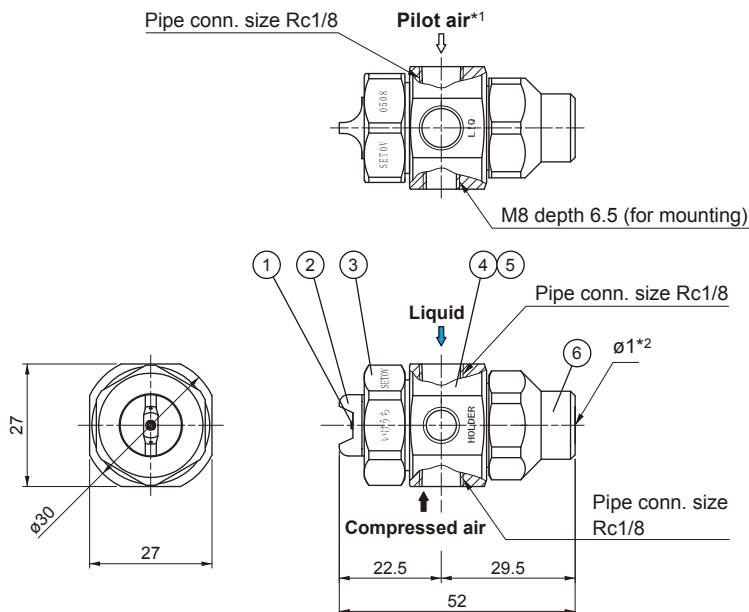
No.	Components	Standard materials
1	Nozzle tip	S303
2	Nozzle body	S303
3	Cap	S303
4	Adaptor	S303
5	O-ring	FKM



Download 3D CAD models (SETOV)

### Adaptor type SP/SN (Spray control adaptor)

■ Weight: approx. 140 g



### COMPONENTS AND MATERIALS

No.	Components	Standard materials
1	Nozzle tip	S303
2	Nozzle body	S303
3	Cap	S303
4	Adaptor	S303
5	Packing	NBR, FKM, PTFE
6	Spring cap	S303

\*1) No pilot air for SN-type adaptor.

\*2) Hole  $\phi 1$  is for air relief.

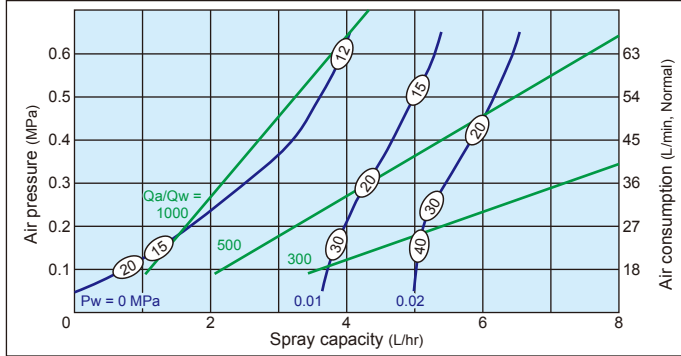
Unit: mm

**FLOW-RATE DIAGRAMS**

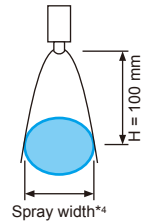
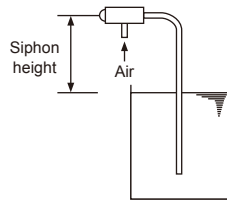
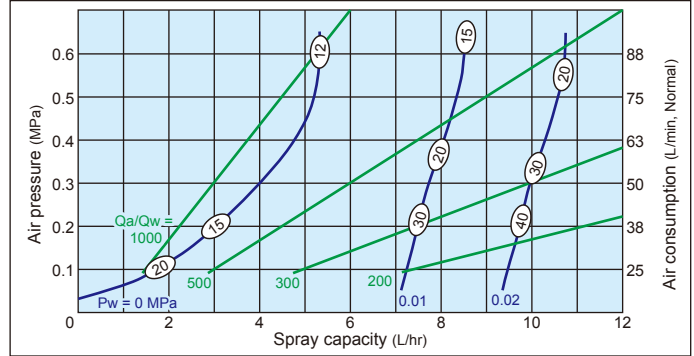
■ How to read the chart

1. The spray capacity shown is for one nozzle.
2. Blue lines (—) represent liquid pressures  $P_w$  in MPa.  
Green lines (—) represent air-water ratio  $Q_a/Q_w$ .
3. Measured at 100 mm liquid siphon height with  $P_w$  at 0 MPa.
4. Numbers in ovals ○ indicate Sauter mean diameters ( $\mu\text{m}$ ) measured by laser Doppler method (measured at 300 mm from the nozzle).
5. These flow-rate diagrams are only applicable when using T-type adaptor.

■ SETOV0406



■ SETOV0508



**PERFORMANCE DATA**

Spray angle *4	Air consumption code	Spray capacity code	Pipe conn. size		Air pressure (MPa)	Air consumption (L/min, Normal)	Spray capacity (L/hr)		Spray width*4 (mm) H = 100 mm	Mean droplet diameter*4 ( $\mu\text{m}$ ) Laser Doppler method	Free passage diameter (mm)	
			Air	Liquid			Liquid pressure (MPa)				Liquid	Air
							0 (Siphon)*3	0.02				
65	04	06	Rc1/8		0.2	27	1.7	5.1	130	15-40	0.6	0.1
					0.3	36	2.5	5.5	130			
					0.4	45	3.2	5.8	120			
					0.5	54	3.6	6.2	115			
55	05	08	Rc1/8		0.2	38	3.1	9.7	110	15-40	0.8	0.2
					0.3	50	4.0	10.0	100			
					0.4	63	4.8	10.3	95			
					0.5	75	5.2	10.6	95			

\*3) Siphon height: 100 mm.

\*4) Spray angle, spray width, and mean droplet diameter measured at liquid pressure of 0 MPa (siphon height of 100 mm).

**HOW TO ORDER**

To inquire about or order a specific product please refer to this coding system.

<Example> SETOV 0406 S303 + TS303

**SETOV**   **04 06**   **S303** +   **T**   **S303**  
 Air consumption code & Spray capacity code   Material of nozzle tip   Type of adaptor   Material of adaptor  
 ■ 0406   ■ T  
 ■ 0508   ■ SP  
                   ■ SN

Adaptor type SP is used in the same way as SPB. Adaptor type SN is used in the same way as SNB. See page 28 for details.