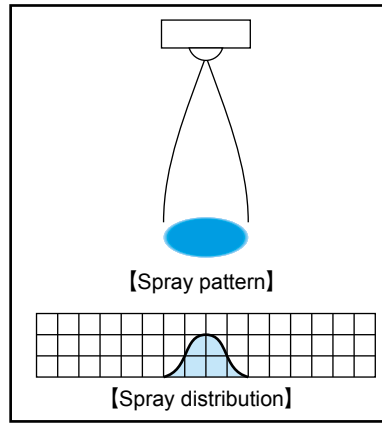


Clog-resistant Fine Fog Nozzles with Spray Control Adaptor

SETO-SP



- Full cone spray pneumatic nozzle producing fine atomization with a mean droplet diameter of 50 μm or less.*1
- Clog-resistant design. Optimal for spraying viscous liquids.
- External mixing type (designed to mix air and liquid outside the nozzle for atomization).
- Built-in piston activated by pilot air prevents liquid dripping from the nozzle and provides fast response to spray ON/OFF control.
- Compact, 46 mm-long design to fit in tight spaces.
- Capable of controlled intermittent liquid dispensing by using as a hydraulic spray nozzle without atomizing air supply.

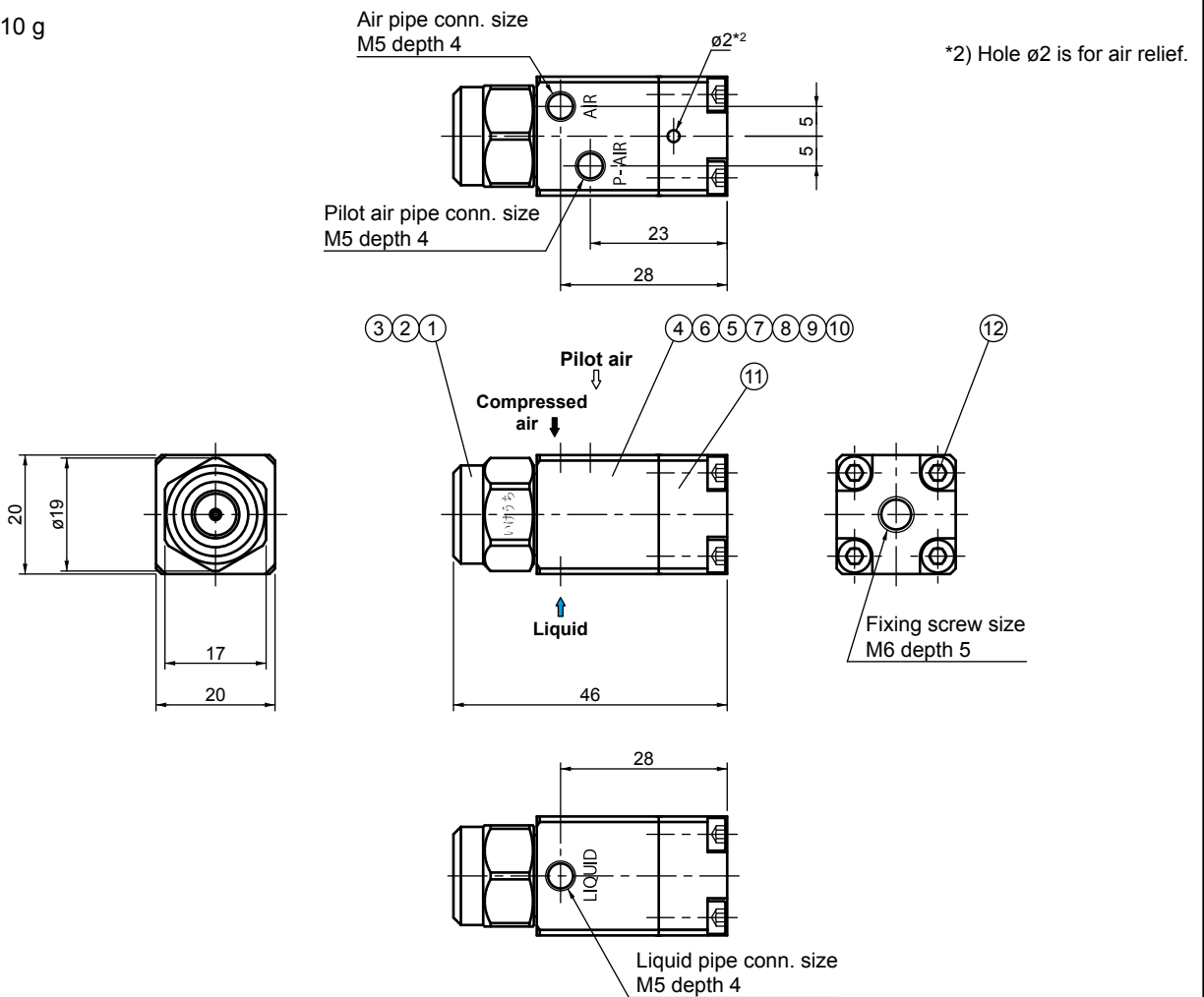
*1) Droplet diameter measured by laser Doppler method

APPLICATIONS

- Spraying: Oil, lubricant, mold release agent, honey, aqueous urea, rust preventive, glaze, viscous liquid, slurry

DRAWING

■ Mass: 110 g



COMPONENTS AND MATERIALS

No.	Components	Standard materials
1	Nozzle tip	S303
2	Nozzle body	S303
3	Cap	S303
4	Adaptor	S303
5	O-ring	NBR
6	O-ring	NBR

No.	Components	Standard materials
7	O-ring	FKM
8	Piston	S303
9	Y-packing	NBR
10	Spring	S304
11	Spring cap	S303
12	Hex socket screw (M3x14mm)	S304

Unit: mm

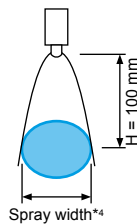
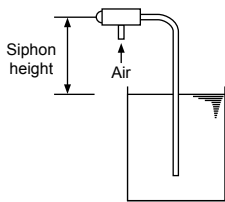
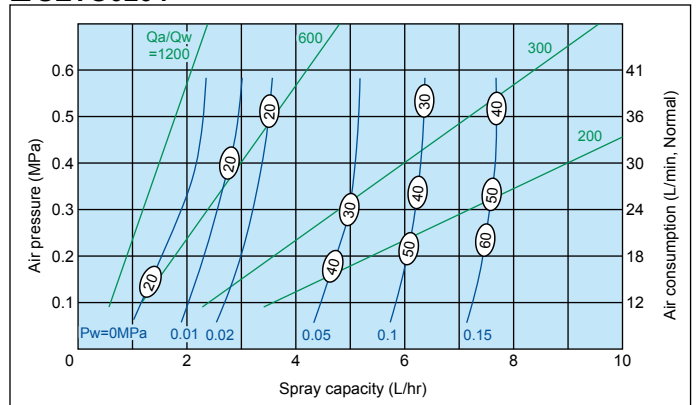
SETO-SP

FLOW-RATE DIAGRAMS

■ How to read the chart

1. The spray capacity shown is for one nozzle.
2. **Blue lines** (—) represent liquid pressures P_w in MPa.
3. **Green lines** (—) represent air-water ratio Q_a/Q_w .
4. Measured at liquid siphon height of 100 mm when P_w is 0 MPa.
5. Figures in ovals ○ indicate Sauter mean diameters (μm) measured by laser Doppler method (measured at 300 mm from the nozzle).

■ SETO0204



SETO-SP

PERFORMANCE DATA

Air consumption code	Spray capacity code	Air pressure (MPa)	Air consumption (L/min, Normal)	Spray capacity (L/hr)		Spray width*4 (mm) H = 100 mm	Mean droplet diameter*4 (μm) Laser Doppler method	Free passage diameter (mm)	
				Liquid pressure (MPa)				Liquid	Air
				0 (Siphon)*3	0.05				
02	04	0.2	18	1.5	4.7	40–50	10–50	0.4	0.1
		0.3	24	1.9	5.0				
		0.4	30	2.2	5.1				

*3) Siphon height: 100 mm.

*4) Measured at compressed air pressure of 0.3 MPa and liquid pressure of 0 MPa (siphon height of 100 mm).

HOW TO ORDER

Please inquire or order using this product code.

SETO 0204 S303 + CSP S303