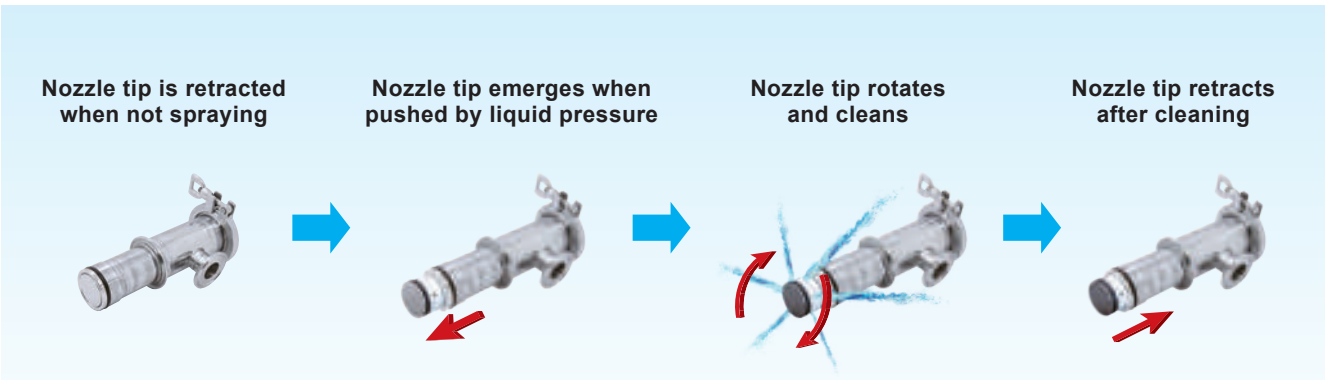


# RJ2-PON SERIES / Pressure-open Nozzle with Self-retracting Tip



## Features

- Pressurized liquid pushes this unique nozzle tip open and it automatically retracts when the liquid pressure stops.
- Powerfully cleans the inside of ducts and tanks.
- Suitable for permanent installation as the nozzle closes flush with the inside surface of the duct or tank when not cleaning.
- Easy to install and remove with ferrule.
- No external power is needed as rotation is driven solely by the flow of the cleaning liquid.

## Applications

- Duct cleaning
- Tank cleaning

## Basic Specifications

Operating Pressure Range  
0.2–0.5 MPa (30–70 psi)

Spray Capacity<sup>1</sup>  
RJ2-PON40: 33.1–50.2 L/min  
RJ2-PON60: 49.7–75.3 L/min  
RJ2-PON80: 66.3–100.4 L/min

Reach Distance of Spray (L)  
4,000–5,000 mm

Spreading Angle ( $\theta$ )  
40°

Spreading Width (W)  
1,600–2,100 mm

Max. Temperature  
80°C (176°F)

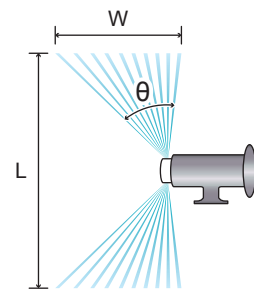
Material<sup>2, 3</sup>  
S304, PTFE, FKM, silicon rubber

Weight  
1.3 kg

Rotation Speed  
About 170 rpm (for reference only)

Chemical Resistance  
Weak acid/alkaline 3% or less

## Spray Coverage



<sup>1</sup> Spray flow rate in the above operating pressure range is for reference only. See the flow-rate diagram and chart for more details.

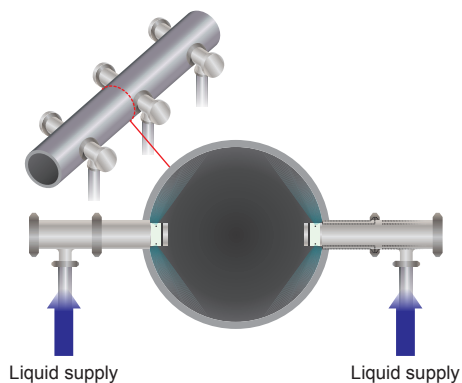
<sup>2</sup> In the material code, "S" represents "stainless steel".

<sup>3</sup> See the table in the drawing section on page 38.

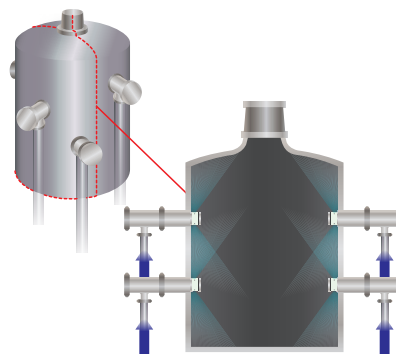
# RJ2-PON SERIES / Pressure-open Nozzle with Self-retracting Tip

## Example of Use

Duct Cleaning

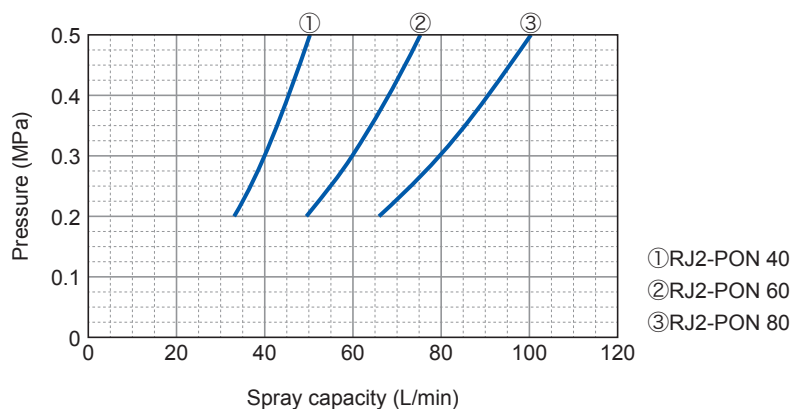


Tank Cleaning



Note: Image shows RJ2-PON nozzles with nozzle tips opened by pressurized cleaning liquid.

## Flow-rate Diagram

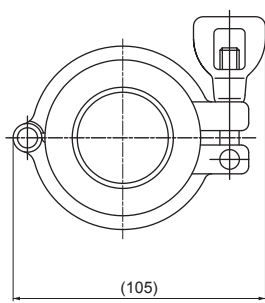


## Flow-rate Chart

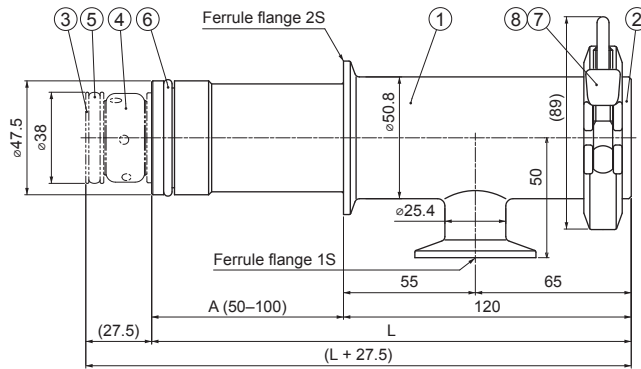
| Spray capacity code | Spray capacity (L/min) [for reference only] |          |         |          |         |          |         |
|---------------------|---|----------|---------|----------|---------|----------|---------|
|                     | 0.2 MPa                                     | 0.25 MPa | 0.3 MPa | 0.35 MPa | 0.4 MPa | 0.45 MPa | 0.5 MPa |
| 40                  | 33.1  | 36.7     | 40.0    | 42.8     | 45.5    | 47.9     | 50.2    |
| 60                  | 49.7  | 55.1     | 60.0    | 64.3     | 68.2    | 71.8     | 75.3    |
| 80                  | 66.3  | 73.5     | 80.0    | 85.7     | 90.9    | 95.8     | 100.4   |

# RJ2-PON SERIES / Pressure-open Nozzle with Self-retracting Tip

## Drawing



Unit: mm



| Components                   | Material <sup>2</sup> |
|------------------------------|-----------------------|
| ① Nozzle body                | S304                  |
| ② Ferrule cap (2S)           | S304                  |
| ③ Shaft                      | S304                  |
| ④ Nozzle tip (rotating part) | PTFE                  |
| ⑤ O-ring (P32)               | FKM                   |
| ⑥ O-ring (P41)               | FKM                   |
| ⑦ Ferrule gasket (2S)        | Silicon rubber        |
| ⑧ Clamp (CP2K 2S)            | S304                  |

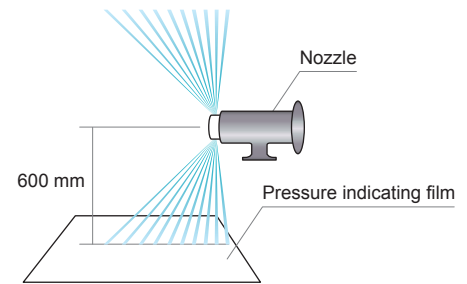
Note: Short pipe, ferrule flange and clamp which are required for the installation in a tank are to be supplied by customer.

## Comparison of Spray Impact

### Measuring Conditions

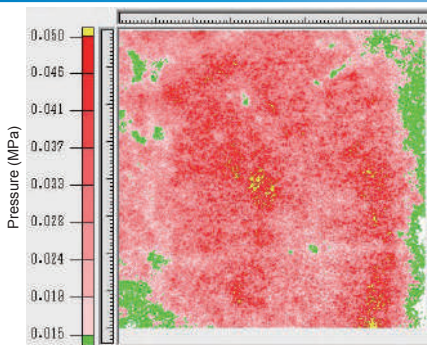
|                                      |                                       |
|--------------------------------------|---------------------------------------|
| Measuring method                     | Pressure indicating film <sup>4</sup> |
| Distance from nozzle orifice to film | 600 mm                                |
| Type of pressure indicating film     | 5LW (ultra extreme low pressure)      |
| Spray pressure                       | 0.3 MPa                               |

<sup>4</sup>A pressure-sensitive sensor film that quickly reveals surface contact distribution and magnitude of pressure on its entire surface. Red patches appear on the film and the color density indicated varies according to the differing contact pressure levels.

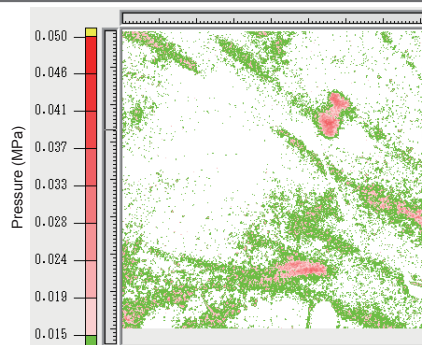


### Measurement Results

IKEUCHI's nozzle (RJ2-PON)



Nozzle from another supplier



Compared with a nozzle from another supplier, IKEUCHI's RJ2-PON series provides **higher pressure over the entire surface**, resulting in **higher cleaning power!**

## HOW TO ORDER

To inquire about or order a specific product please refer to this coding system.

Example: RJ2-PON 80-1S × 80 S304

RJ2-PON 80 - 1S × 80 S304

Spray Capacity Code

- 40
- 60
- 80

Insertion Length (A)<sup>5</sup>

- 50-100

<sup>5</sup> See dimension A in drawing.