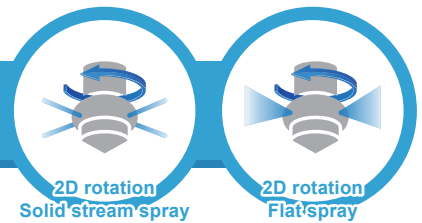


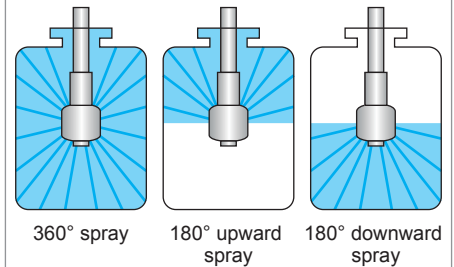
For cleaning easy to remove dirt

## ES/ESV-PTFE SERIES / Resistant to Chemicals



### Spray Coverage

Select from three patterns for the ES.  
The ESV is only available for the 360° spray.



Cleaning easy to remove dirt

### Features

- Made of PTFE, highly resistant to chemicals.
- Rotating flat spray pattern covers the entire surface in a tank (ESV series).
- No external power is needed as rotation is driven solely by the flow of the cleaning liquid.

### Applications

- Cleaning of chemical tanks, containers, filling machines, can be used with acid or alkali cleaner.

### Basic Specifications

Operating Pressure Range  
0.05–0.5 MPa (8–70 psi)

Material  
PTFE

Spray Capacity<sup>1</sup>  
12.2–194 L/min

Weight  
Pipe conn. size Rc1/2: 130 g  
Pipe conn. size Rc3/4: 180 g

Reach Distance of Spray (Diameter)  
ES: approx. 1.5–4 m  
ESV: approx. 1.1–4 m

Rotation Speed  
N/A

Max. Temperature  
93°C (199°F)

<sup>1</sup>Spray flow rate in the above operating pressure range is for reference only.  
See the flow-rate diagram and chart for more details.

▼ Watch rotating & spraying nozzle on YouTube

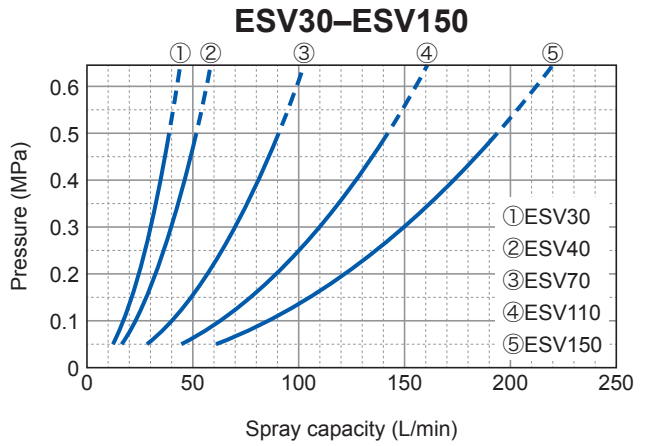
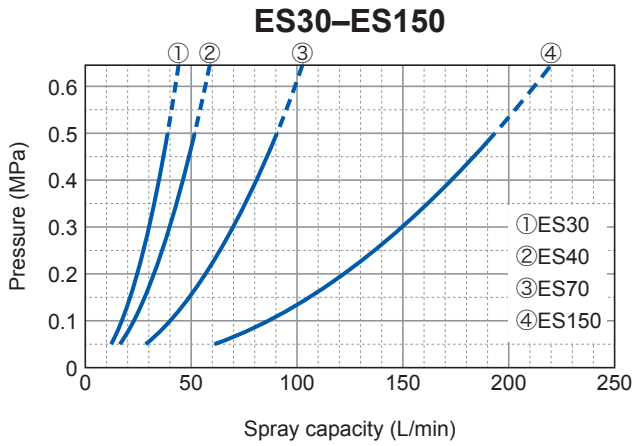


IKEUCHI ES-PTFE

# ES-PTFE, ESV-PTFE SERIES / Resistant to Chemicals

Cleaning easy to remove dirt

## Flow-rate Diagram

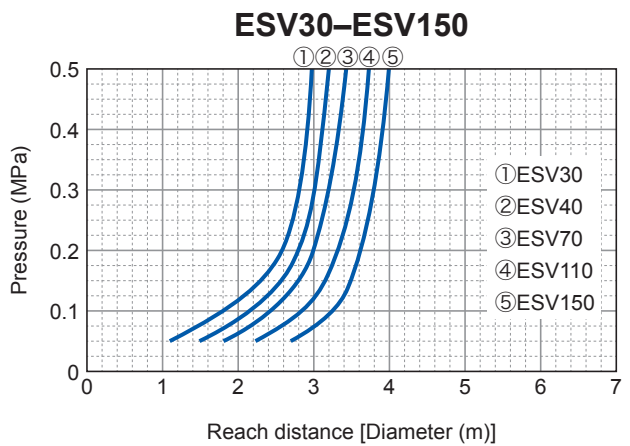
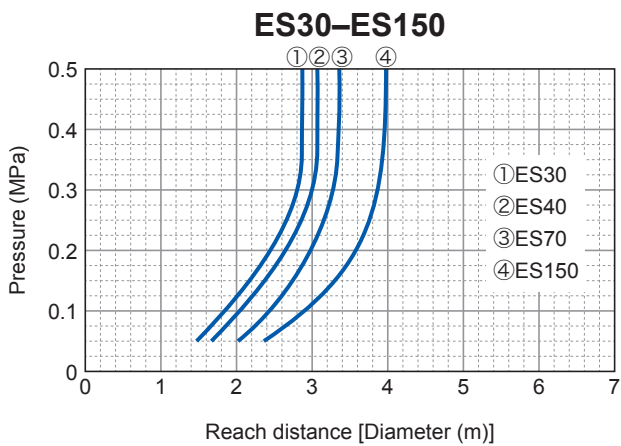


## Flow-rate Chart

Series		Spray capacity code	Pipe conn. size	Spray capacity (L/min) [for reference only]					
ES	ESV			0.05 MPa	0.1 MPa	0.2 MPa	0.3 MPa	0.4 MPa	0.5 MPa
○	○	30	Rc1/2	12.2	17.3	24.5	30.0	34.6	38.7
○	○	40	Rc1/2	16.3	23.1	32.7	40.0	46.2	51.6
○	○	70	Rc3/4	28.6	40.4	57.2	70.0	80.8	90.4
—	○	110	Rc3/4	44.9	63.5	89.8	110	127	142
○	○	150	Rc3/4	61.2	86.6	123	150	173	194

○ shows availability of the item.

## Reach Distance of Spray

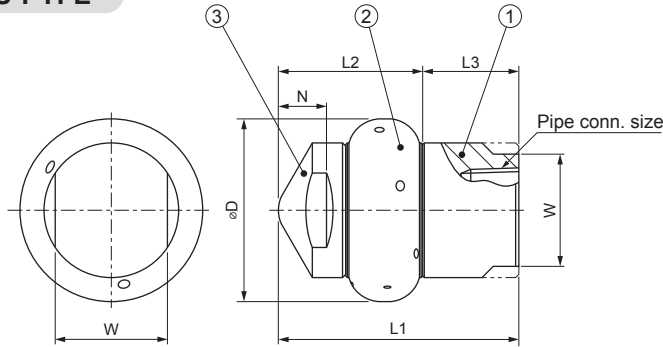


# ES-PTFE, ESV-PTFE SERIES / Resistant to Chemicals

Cleaning easy  
to remove dirt

## Drawing

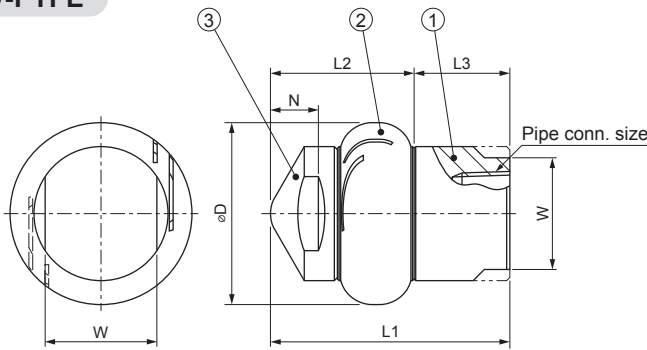
### ES-PTFE



Download 3D/2D  
CAD file

- ① Connecting adaptor
- ② Nozzle body (rotating part)
- ③ Hub

### ESV-PTFE



- ① Connecting adaptor
- ② Nozzle body (rotating part)
- ③ Hub

#### ■ Dimensions and weight

Series	Pipe conn. size	Outer dimensions (mm)						Weight (g)
		L1	L2	L3	W	øD	N	
ES	Rc1/2	65	41	24	30	50	14	130
	Rc3/4	75	45	30	35	57	15	180
ESV	Rc1/2	65	41	24	30	50	12	130
	Rc3/4	75	45	30	35	57	15	180

## HOW TO ORDER

To inquire about or order a specific product please refer to this coding system.

### ES-PTFE

Example: 1/2F ES 30 N PTFE (360)

1/2F ES 30 N PTFE (360)

Pipe Conn. Size<sup>2</sup>

- 1/2F
- 3/4F

Spray Capacity Code

- 30
- 40
- 70
- 150

Spray Coverage Pattern

- 360
- 180 upward
- 180 downward

### ESV-PTFE

Example: 1/2F ESV 30 N PTFE (360)

1/2F ESV 30 N PTFE (360)

Pipe Conn. Size<sup>2</sup>

- 1/2F
- 3/4F

Spray Capacity Code

- 30
- 40
- 70
- 110
- 150

<sup>2</sup> "F" indicates female tapered pipe thread ("Rc" of the ISO standard), e.g. 1/2F = Rc1/2.