

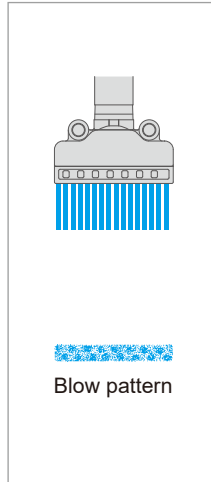
42 mm wide flat jet, short version

TAIFUJet®
TF-FS42

Compressed air



For compressors



- This compact air booster nozzle (42 mm wide, 35 mm long) is suitable for applications where flat blowing is required in tight spaces.
- The unique design creates a uniform and efficient air flow distribution.
- It produces a powerful, high impact air stream, while saving energy.
- Low noise level.
- Available in metal for orifice diameters of 0.8, 1.0, or 1.2 mm.
- Suitable for smaller equipment and cost reduction.



Material
Plastic: PPS, Metal: S316L equivalent



Weight
Plastic: 9 g, Metal: 38 g



Max. operating pressure
Plastic^{*1}: 0.7 MPa (100 psi), Metal: 1.0 MPa (140 psi)



Max. temperature
Plastic^{*1}: 80°C (170°F), Metal: 400°C (750°F)

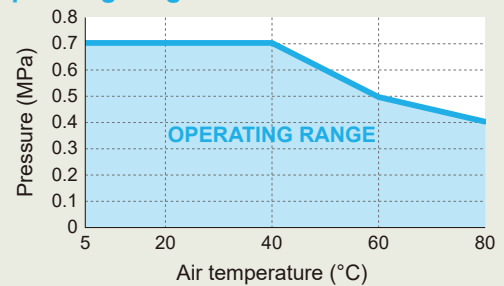


Noise level (at 0.3 MPa)
Plastic: 79 dBA, Metal: 73–82 dBA



Air consumption (at 0.3 MPa)
Plastic: 440 L/min, Normal
Metal: 280–630 L/min, Normal

Operating range of PPS model

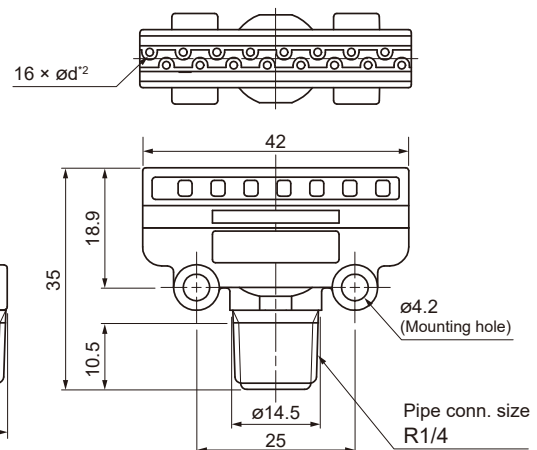
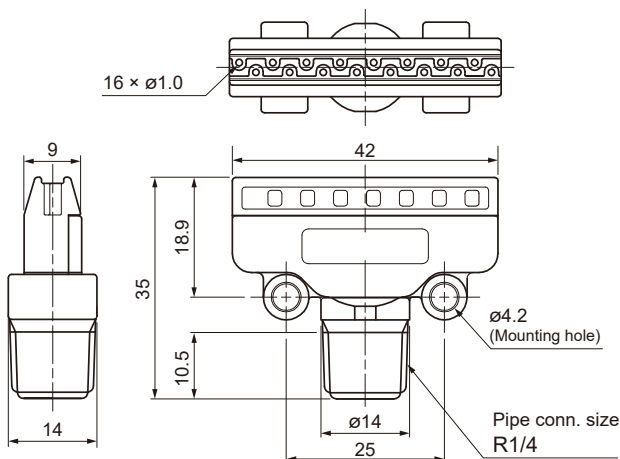


^{*1} Heat resistance varies depending on the pressure applied. Blue colored area indicates the operating range of a PPS model.

Drawing

Plastic ■ 1/4M TF-FS 42-16-010 PPS

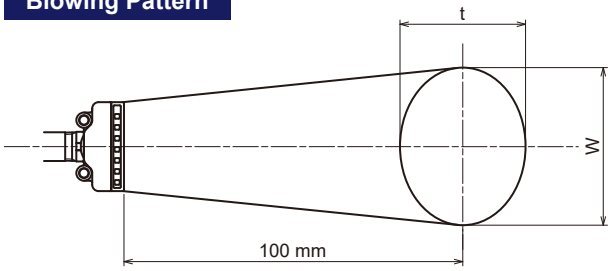
Metal ■ 1/4M TF-FS 42-16-008 S316L-IN
■ 1/4M TF-FS 42-16-010 S316L-IN
■ 1/4M TF-FS 42-16-012 S316L-IN



Unit: mm

²ød = Orifice Diameter (OD): ø0.8, ø1.0, or ø1.2 mm

Blowing Pattern



Air pressure (MPa)	Blowing width W (mm)	Thickness t (mm)
0.1	50	45
0.3	55	45
0.5	55	45

Noise Level at a distance of 1,000 mm

Background noise: 46 dBA

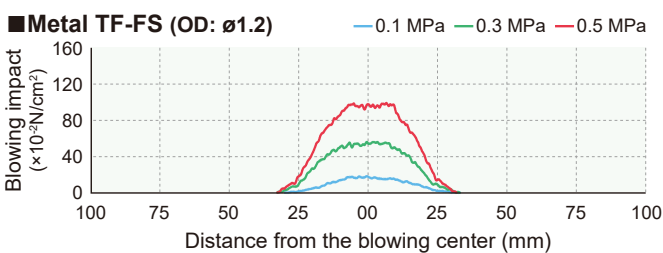
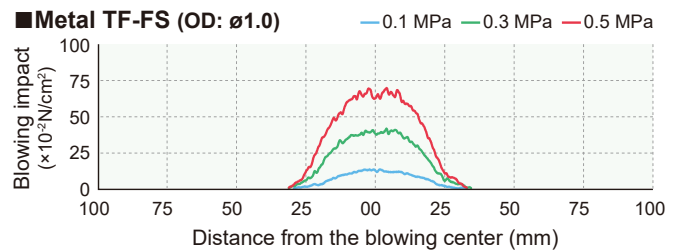
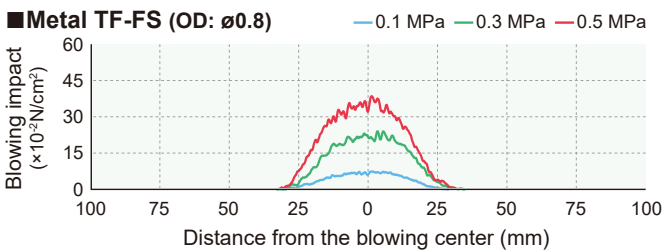
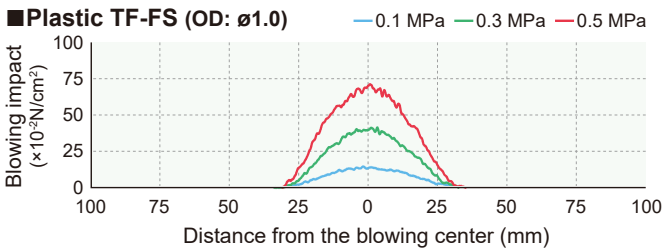
Plastic		
Orifice diameter	Pressure (MPa)	Noise level (dBA)
ø1.0	0.1	68
	0.3	79
	0.5	85

Metal		
Orifice diameter	Pressure (MPa)	Noise level (dBA)
ø0.8	0.1	62
	0.3	73
	0.5	79

Metal		
Orifice diameter	Pressure (MPa)	Noise level (dBA)
ø1.0	0.1	68
	0.3	78
	0.5	84

Metal		
Orifice diameter	Pressure (MPa)	Noise level (dBA)
ø1.2	0.1	72
	0.3	82
	0.5	88

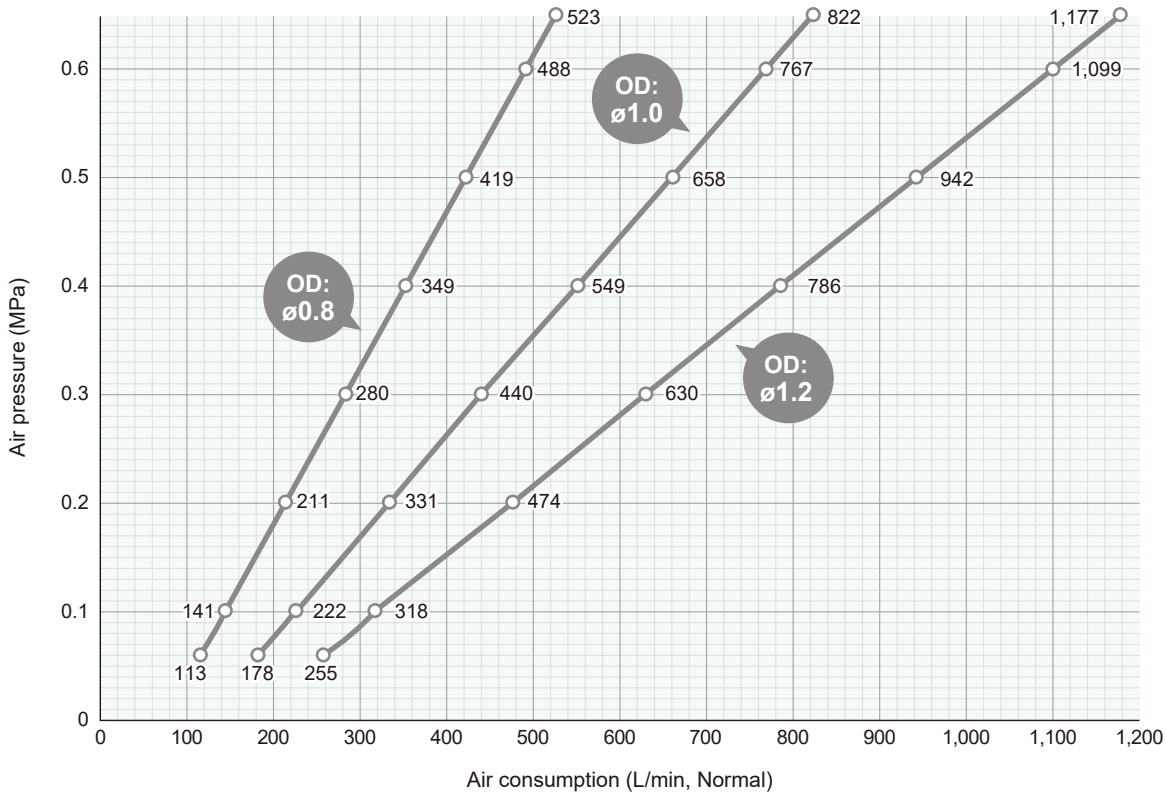
Blowing Impact Distribution at 100 mm below the nozzle orifice



(OD = Orifice Diameter)

Air Consumption

Orifice diameter (OD) $\phi 1.0$ is available in both plastic and metal. $\phi 0.8$ and $\phi 1.2$ are only available in metal.



HOW TO ORDER

Please inquire or order for a specific nozzle using this coding system.

Plastic

1/4M(PT) TF-FS 42-16-010 PPS

Thread Type

- (PT)
- (NPT)

Metal

<Example> 1/4M(PT) TF-FS 42-16-010 S316L-IN

1/4M(PT) TF-FS 42-16-010 S316L-IN

Thread Type

- (PT)
- (NPT)

Orifice Diameter Code

- 008 ($\phi 0.8$)
- 010 ($\phi 1.0$)
- 012 ($\phi 1.2$)