

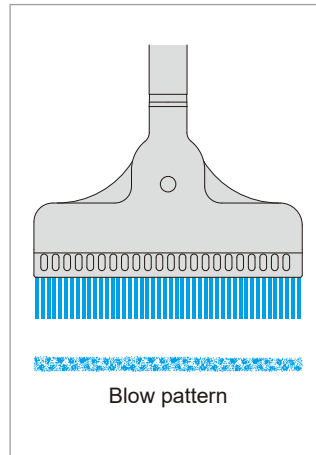
# 121 mm wide flat jet

TAIFUJet®  
TF-F121

Compressed air



## For compressors



- Air booster nozzle suitable for applications where a wide laminar blowing is required.
- The unique design creates a uniform and efficient air flow distribution.
- It produces a powerful, high impact air stream, while saving energy.
- Low noise level.
- Wide air nozzle (121 mm wide, 90 mm long) generates an effective flat blow through 46 orifices.



Material  
PPS



Weight  
62 g



Max. operating pressure\*  
0.7 MPa (100 psi)



Max. temperature\*  
80°C (170°F)

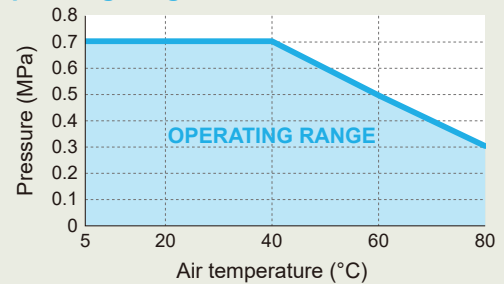


Noise level  
82 dBA at 0.3 MPa



Air consumption  
1,250 L/min, Normal  
at 0.3 MPa

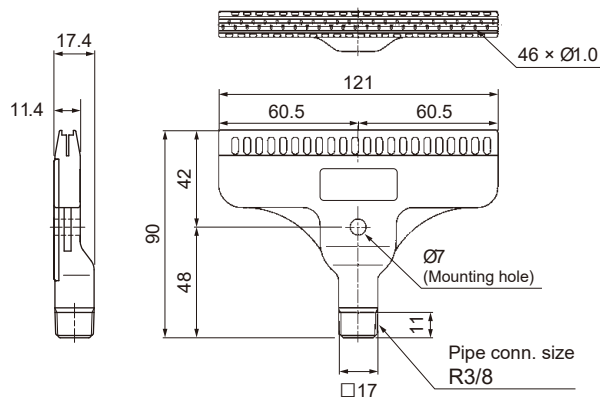
## Operating range



\*Heat resistance varies depending on the pressure applied. Blue colored area indicates the operating range.

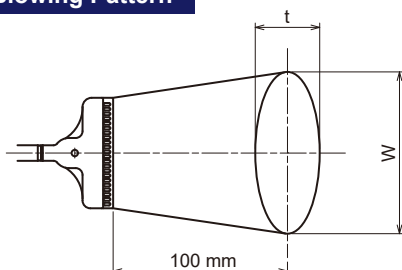
## Drawing

■ 3/8M TF-F 121-46-010 PPS



Unit: mm

## Blowing Pattern

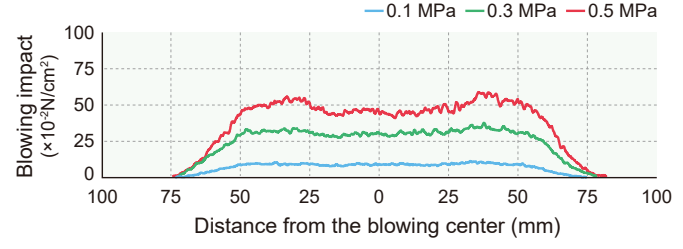


Air pressure (MPa)	Blowing width W (mm)	Thickness t (mm)
0.1	130	50
0.3	135	50
0.5	135	50

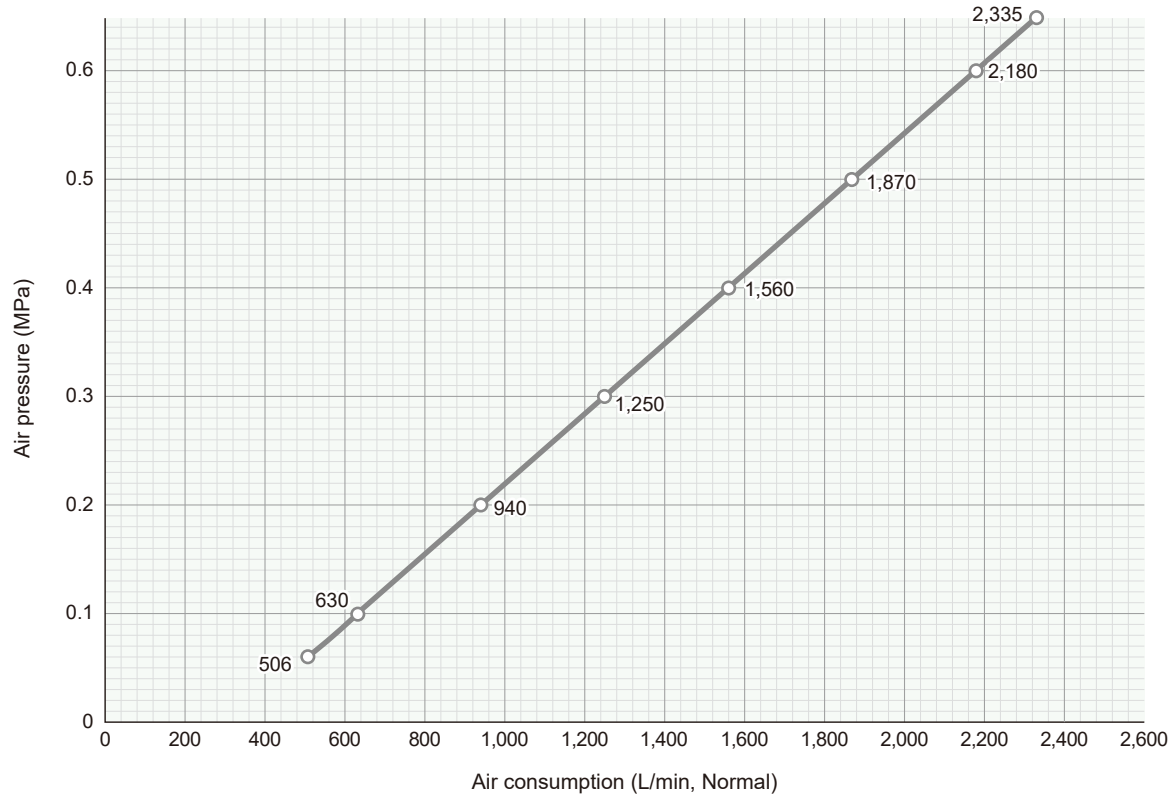
**Noise Level** at a distance of 1,000 mm  
Background noise: 46 dBA

Pressure (MPa)	Noise level (dBA)
0.1	74
0.3	82
0.5	86

**Blowing Impact Distribution** at 100 mm below the nozzle orifice



**Air Consumption**



**HOW TO ORDER** Please inquire or order using this product code.

**3/8M(PT) TF-F 121-46-010 PPS**

- Thread Type
- (PT)
  - (NPT)