

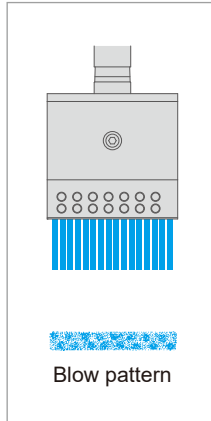
50 mm wide flat jet

TAIFUJet®
TF-F50

Compressed air



For compressors



- Air booster nozzle suitable for applications where flat blowing is required.
- The unique design creates a uniform and efficient air flow distribution.
- It produces a powerful, high impact air stream, while saving energy.
- Low noise level.
- Compact and wider flat air nozzle, 50 mm wide and 65 mm long.



Material
S304



Max. temperature
400°C (750°F)



Weight
140 g



Noise level
82 dBA at 0.3 MPa



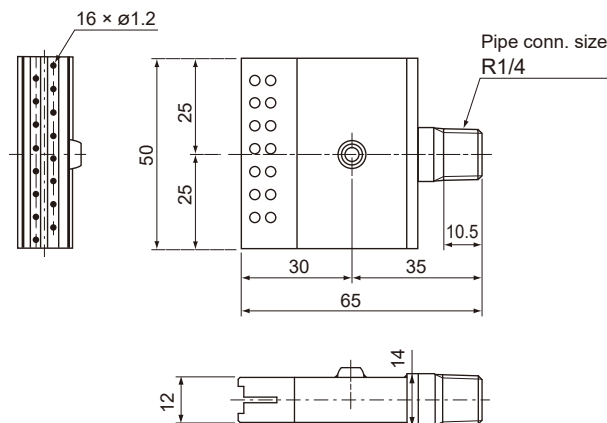
Max. operating pressure
1.0 MPa (140 psi)



Air consumption
730 L/min, Normal at 0.3 MPa

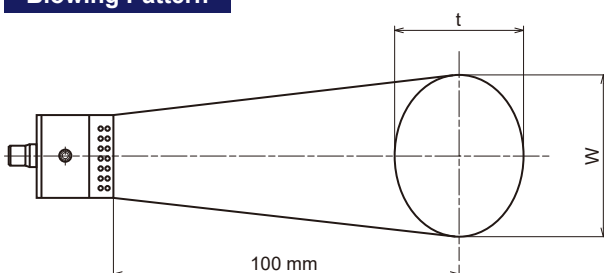
Drawing

■ 1/4M TF-F 50-16-012 S304



Unit: mm

Blowing Pattern



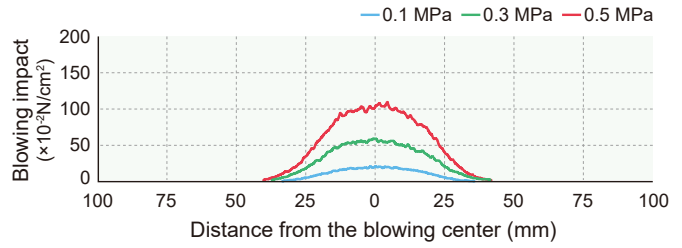
Air pressure (MPa)	Blowing width W (mm)	Thickness t (mm)
0.1	60	55
0.3	65	55
0.5	65	55

Noise Level at a distance of 1,000 mm

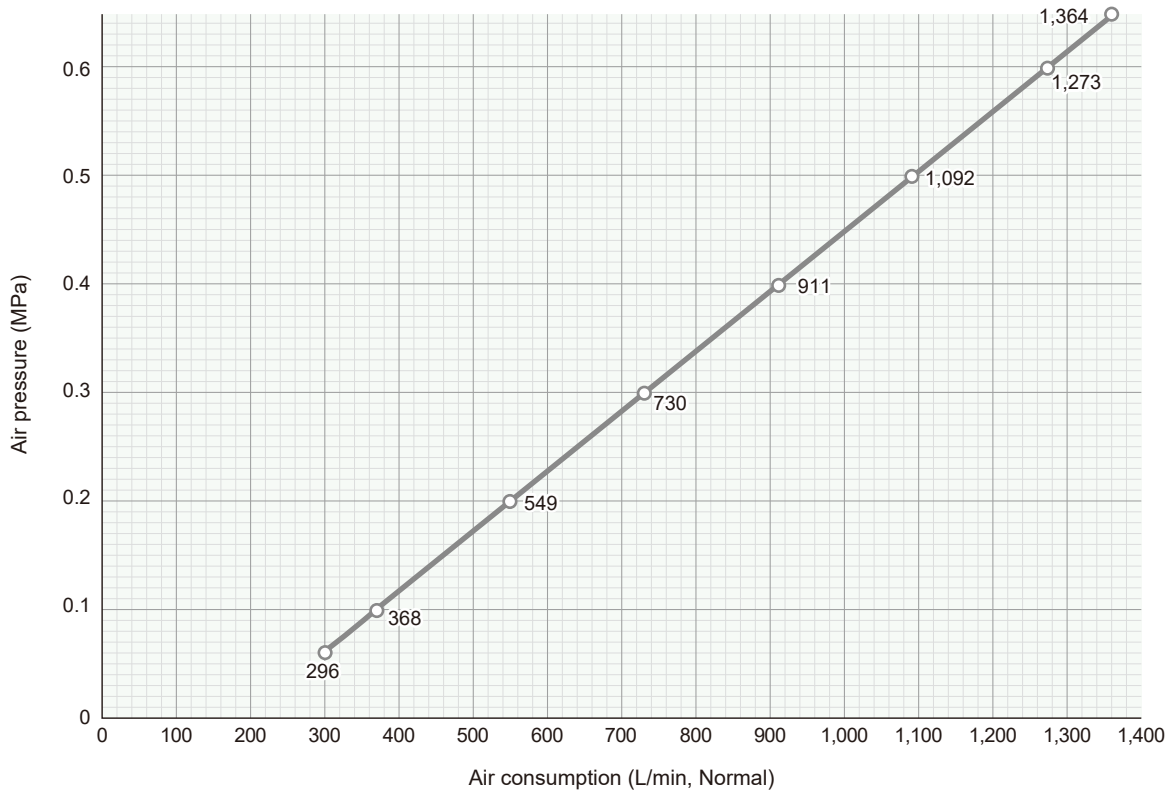
Background noise: 46 dBA

Pressure (MPa)	Noise level (dBA)
0.1	70
0.3	82
0.5	87

Blowing Impact Distribution at 100 mm below the nozzle orifice



Air Consumption



HOW TO ORDER

Please inquire or order using this product code.

1/4M TF-F 50-16-012 S304