



Photo is a WUT with a nozzle attached.

- Able to rotate 360° to adjust blow direction. Desired position can be locked in place with bolt.
- Stabilizing function suppresses internal turbulences.
- Safety design prevents parts from falling when bolt is released.

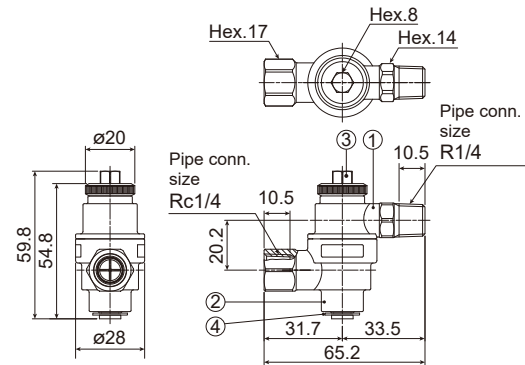
Drawing

- Materials:
1. Adaptor (SCS13)
 2. Adaptor (SCS13)
 3. Bolt (S303)
 4. E-ring (S304)

O-ring (NBR)

Weight: 146 g

Unit: mm



HOW TO ORDER

Please inquire or order using this product code.

WUT 1/4M × 1/4F SCS13



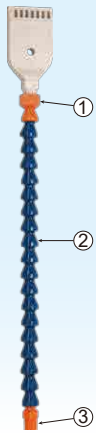
Cautions

- Bolt may loosen due to vibration, if not securely tightened with a torque-wrench at 6 N m.
- Max. operating pressure: 3 MPa • Max. temperature: 90°C (190°F)

Flexible tubes

FT

Photo is FT series tube with TAIFUJet attached.



Material: POM
Max. temperature:
65°C (140°F)

- ① Rc1/8 or Rc1/4 threaded female connector (for nozzle)
- ② Segments
- ③ R1/8 or R1/4 threaded male connector (to air supply)

*1 Select number of segments for tube from 2, 6, 10, 14, or 18.

Number of segments:
18 EA.*1

■ Dimensions and weight

Connection thread size		Total length ² (mm)	Number of segments (EA.)	Weight (g)
③	①			
R1/8	Rc1/8	71	2	8.6
		131	6	15.4
		190	10	22.2
		249	14	29.0
		309	18	35.8
R1/4	Rc1/4	76	2	9.2
		135	6	16.0
		194	10	22.8
		254	14	30.0
		313	18	36.4
R1/4	Rc1/8	71	2	9.0
		131	6	15.8
		190	10	22.6
		250	14	28.6
		309	18	36.2

²Total length excludes nozzle.

- Tube path and angle can be adjusted as desired. Each segment can be bent up to 24 degrees from the central axis.
- Highly flexible hose holds position well.
- Compatible with various types of air nozzles depending on application.

HOW TO ORDER

Please inquire or order for a specific tube using this coding system.

Connector ③ to air supply = R1/4 threaded:
<Example> FT 1/4M × 1/4F 76-2 POM

FT 1/4M × 1/4F 76 - 2 POM

Size of Connector ① for Nozzle³

- 1/8F
- 1/4F

Total Length - Number of Segments

- When ① is ●71-2 ●131-6
Rc1/8 threaded: ●190-10 ●250-14
●309-18

- When ① is ●76-2 ●135-6
Rc1/4 threaded: ●194-10 ●254-14
●313-18

Connector ③ to air supply = R1/8 threaded:
<Example> FT 1/8M × 1/8F 71-2 POM

FT 1/8M × 1/8F 71 - 2 POM

Total Length - Number of Segments

- 71-2 ●131-6
- 190-10 ●249-14
- 309-18

³"M" indicates male thread ("R" of the ISO standard) and "F" indicates female thread ("Rc" of the ISO standard), e.g. 1/8F = Rc1/8.



Cautions

FT series only to be used at pressures **below 0.3 MPa**.

(Depending on the attached nozzle and/or length of the tube, there might be movement in reaction to the blow force).