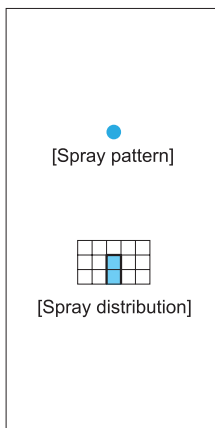
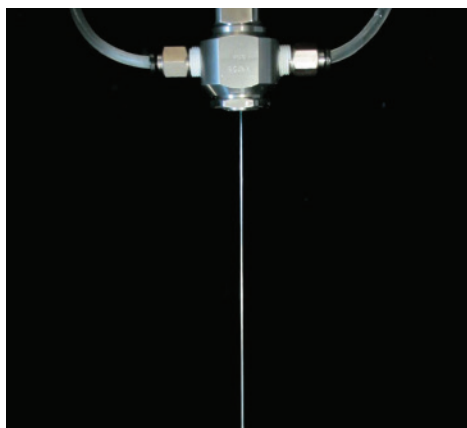


# Solid Stream Jet with ON/OFF Control **SO-CM**

Solid Stream



### [Features]

- Solid stream nozzles with high spray impact.
- Prevents dripping after spraying stops.
- Quick response ON/OFF spray.
- Spray ON/OFF can be regulated by pilot air ON/OFF.

### [Standard pressure]

0.3 MPa

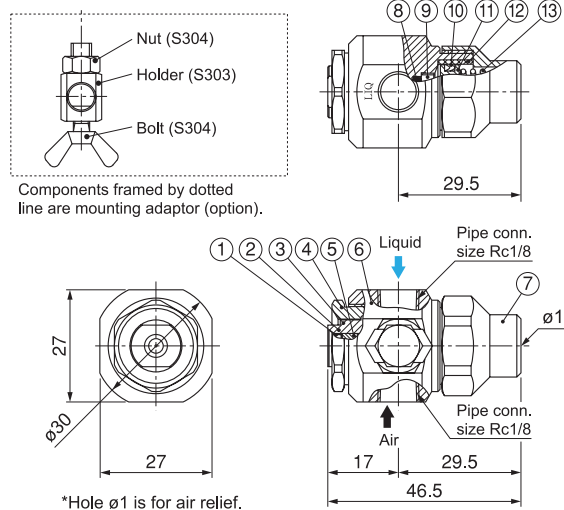
### [Applications]

Trimming: Papermaking, asbestos plate  
 Cutting: Timber, food  
 Others: Marking, cleaning of precision machine parts, injection of chemicals, deburring

## SO-CM series

SO-CM series (with ceramic orifice inserted)	
Structure	• Spray ON/OFF can be regulated by switching the pilot air ON/OFF. The pilot air activates an internal piston to regulate the spray.
Material	• Nozzle orifice: ceramic • Metal parts: S303
Mass	• 150 g

[Note] Appearance and dimensions may differ slightly depending on materials and nozzle codes.



- ①Ceramic orifice ②Adhesive: Araldite® ③Tip retainer ④Cap  
 ⑤Packing (PTFE) ⑥Adaptor ⑦Spring cap ⑧O-ring (FKM) ⑨Lock nut  
 ⑩Y-packing (NBR) ⑪Piston ⑫Sleeve (UHMWPE) ⑬Spring (S304)

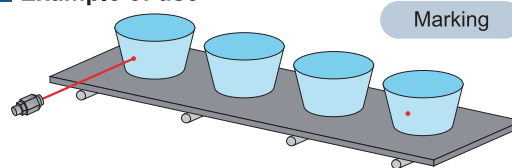
### Mounting adaptor (Optional)

A mounting adaptor is available for fixing SO-CM series nozzle onto a pole to spray in the desired direction. Please specify "(with  $\phi 10$  mounting adaptor)" at the end of the product code to order.

Orifice diameter code	Spray capacity (ℓ/min)	
	0.3 MPa	0.5 MPa
$\phi 0.3$	0.08	0.10
$\phi 0.4$	0.14	0.17
$\phi 0.5$	0.20	0.25
$\phi 0.6$	0.29	0.36
$\phi 0.7$	0.39	0.49
$\phi 0.8$	0.51	0.65
$\phi 0.9$	0.61	0.78
$\phi 1.0$	0.75	0.97

[Note] SO-CM series nozzles are manufactured for specific orifice diameters, therefore spray capacity is not guaranteed.

### Example of use



### Operation time chart

Pilot air	OFF	ON	OFF	ON	OFF
Liquid	Stop	Spray	Stop	Spray	Stop

### How to order

Please inquire or order for a specific nozzle using this coding system.

<Example> 1/8 SO-CM  $\phi 0.3$  S303 (with  $\phi 10$  mounting adaptor)

1/8 SO-CM  $\phi 0.3$  S303 (with  $\phi 10$  mounting adaptor)

Orifice diameter code	(Option)
$\phi 0.3$	
$\phi 1.0$	

### ALSO AVAILABLE!

Flat Spray Nozzles with ON/OFF Control

## SO-V series

See p.46 of this catalog.

### CAUTIONS

- Supply liquid pressure at 0.5 MPa or less. • Supply pilot air pressure at between 0.2 and 0.5 MPa.
- Pilot air ON/OFF regulates spray ON/OFF.
- For better shut off and preventing dripping, purge the air inside/between the solenoid valve and SO-CM series nozzle at OFF time, using a 3-way solenoid valve.