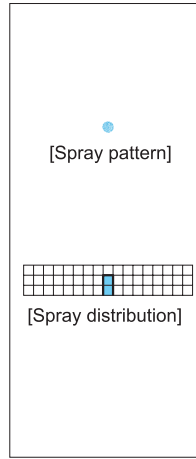


Universal-joint Type Solid Stream Jet **UT+CP**



[Features]

- High impact force oscillating solid stream flow.
- Internal design keeps flow resistance to a minimum, yielding large volume flow.
- Spray direction is adjustable over a range of 40 degrees as desired.

[Standard pressure]

0.3 MPa

[Applications]

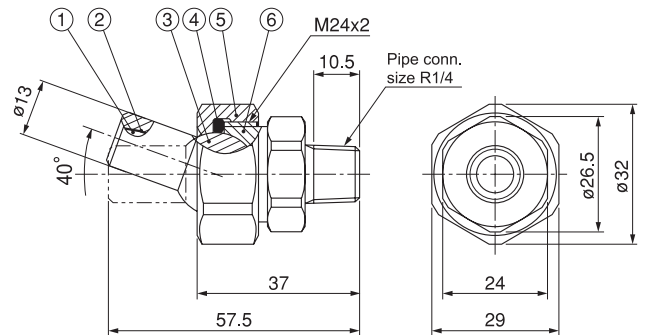
Cleaning: High pressure jet cleaning, wire and felt parts of papermaking machines, vehicles, returnable containers, machinery, parts
Trimming: Paper making, asbestos plate

Solid Stream

UT+CP series

	UT+CP series (with ceramic orifice inserted)
Structure	<ul style="list-style-type: none"> • Includes a ceramic orifice in the nozzle tip. • Comprises nozzle tip, O-ring, cap, and adaptor. • Worn-out nozzle tip can be replaced. • Nozzle tip has integrated universal ball joint for adjusting spray direction.
Material	<ul style="list-style-type: none"> • Nozzle orifice: ceramic • Metal parts: S303
Mass	<ul style="list-style-type: none"> • 125 g

[Note] Appearance and dimensions may differ slightly depending on materials and nozzle codes.



Spray capacity code	Spray capacity (ℓ/min)								Free passage diameter (mm)
	0.1 MPa	0.15 MPa	0.2 MPa	0.3 MPa	0.5 MPa	0.7 MPa	1 MPa	2 MPa	
37	0.68	0.83	0.96	1.17	1.51	1.79	2.14	3.03	1.0
49	0.90	1.10	1.28	1.56	2.02	2.39	2.86	4.04	1.2
80	1.47	1.80	2.08	2.54	3.28	3.88	4.65	6.56	1.5
111	2.03	2.48	2.87	3.51	4.53	5.36	6.43	9.09	1.8
136	2.48	3.04	3.51	4.30	5.55	6.57	7.85	11.1	2.0
247	4.51	5.52	6.38	7.81	10.1	11.9	14.3	20.2	2.6
322	5.88	7.20	8.31	10.2	13.1	15.6	18.6	26.3	3.0
445	8.12	9.95	11.5	14.1	18.2	21.5	25.7	36.3	3.5

[Note] Precision guarantee for UT+CP series is only for spray angle (its axis of spray direction is within 3° from nozzle body centerline).

How to order

Please inquire or order for a specific nozzle using this coding system.

〈Example〉 1/4M UT+CP 37 S303

1/4M UT+CP 37 S303

Spray capacity code
37
445

Contact us if you want to order only nozzle tips.

ALSO AVAILABLE!

Universal-joint Type
Flat Spray Nozzles

UT+VP
series

See p.47 of this catalog.