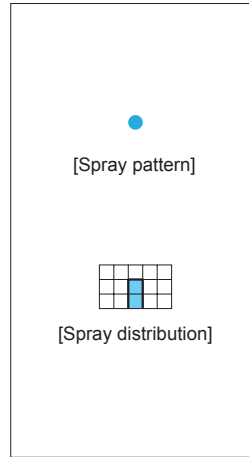


Standard Solid Stream Jet

Some Models are Made-to-Order

CCP/CP



- Highest impact solid stream nozzle. Interior design featuring minimal pressure drop generates much larger flow of solid stream jet as compared with other solid stream nozzles having the same orifice diameters.

[STANDARD PRESSURE]
3.0 MPa

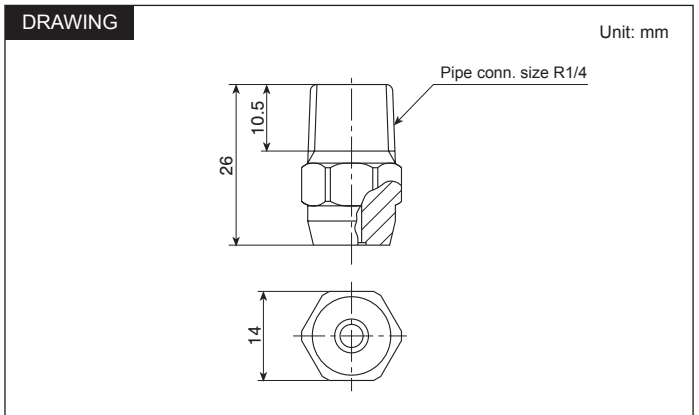
[APPLICATIONS]
High pressure cleaning:
Wire and felt parts of paper making machines, vehicles, returnable containers, machinery, parts
Trimming: Paper making

Solid Stream

CCP SERIES (all metal)

Structure	<ul style="list-style-type: none"> • Metal one-piece structure.
Material	<ul style="list-style-type: none"> • S303 <p>[Note] Use CCP series nozzles for pressures below 3.5 MPa.</p> <p>SPECIAL ORDER MATERIAL: S316</p>
Weight	<ul style="list-style-type: none"> • 20 g

[Note] Appearance and dimensions may differ slightly depending on material and nozzle code.



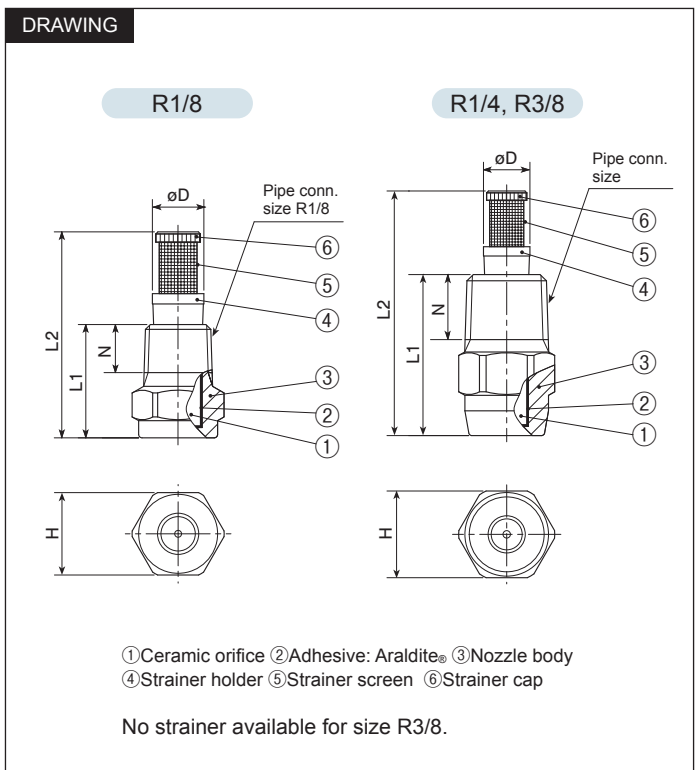
CP SERIES (with ceramic orifice)

CP \varnothing 0.1 to \varnothing 0.8 (page 90): made-to-order

Structure	<ul style="list-style-type: none"> • One-piece structure with a ceramic orifice insert. High-purity ceramic is used for the orifice of R1/8 and R1/4 models with spray capacity codes 25–210 and the small orifice diameter CP series with code 0.5–0.8. • Small spray capacity models come with or without a strainer.
Material	<ul style="list-style-type: none"> • Nozzle orifice: ceramic • Metal parts: S303 <p>SPECIAL ORDER MATERIAL: S316</p>

Pipe conn. size	Dimensions (mm)					Weight (g)*1
	L1	L2	H	\varnothing D	N	
R1/8	16.5	30	12	7.5	7	7.1
R1/4	26	39.5	14	7.5	10.5	19.5
R3/8	30	—	19	—	11	38

*1) With strainer, add 2 g for R1/8 and 5 g for R1/4 to the above weight.



[Note] Appearance and dimensions may differ slightly depending on material and nozzle code.

Standard Solid Stream Jet
CCP/CP SERIES

Solid Stream

Spray capacity code	Pipe connection size				Spray capacity (L/min)													Free pass. dia. (mm)	Strainer mesh size
	CCP		CP		0.1 MPa	0.3 MPa	0.5 MPa	0.7 MPa	1 MPa	2 MPa	3 MPa	4 MPa	5 MPa	6.5 MPa	8 MPa	10 MPa	15 MPa		
	R1/4	R1/8	R1/4	R3/8															
25		●	●		0.45	0.78	1.01	1.19	1.43	2.02	2.47	2.85	3.19	3.64	4.03	4.51	5.52	0.8	50
31		●	●		0.56	0.98	1.26	1.49	1.78	2.52	3.09	3.57	3.99	4.55	5.05	5.64	6.91	0.9	50
37		○	○		0.68	1.17	1.51	1.79	2.14	3.03	3.71	4.28	4.79	5.46	6.06	6.77	8.30	1.0	—
43		○	○		0.79	1.37	1.77	2.09	2.50	3.54	4.33	5.00	5.59	6.37	7.06	7.91	9.67	1.1	—
49		○	○		0.90	1.56	2.02	2.39	2.86	4.04	4.94	5.71	6.38	7.28	8.07	9.04	11.1	1.2	—
56		○	○		1.02	1.76	2.27	2.69	3.22	4.54	5.56	6.42	7.18	8.19	9.08	10.2	12.4	1.2	—
62		○	○		1.13	1.95	2.52	2.99	3.57	5.05	6.18	7.14	7.98	9.10	10.1	11.3	13.8	1.3	—
68		○	○		1.24	2.15	2.78	3.28	3.93	5.55	6.80	7.85	8.79	10.0	11.1	12.4	15.2	1.4	—
74		○	○		1.35	2.35	3.03	3.58	4.29	6.06	7.42	8.56	9.58	10.9	12.1	13.6	16.6	1.4	—
80		○	○		1.47	2.54	3.28	3.88	4.65	6.56	8.04	9.28	10.4	11.8	13.1	14.7	18.0	1.5	—
87		○	○		1.58	2.74	3.54	4.18	5.00	7.07	8.66	10.0	11.2	12.8	14.1	15.8	19.4	1.6	—
93		○	○		1.69	2.93	3.79	4.48	5.36	7.58	9.28	10.7	12.0	13.7	15.2	17.0	20.8	1.6	—
99		○	○		1.81	3.13	4.04	4.78	5.72	8.08	9.89	11.4	12.8	14.6	16.2	18.1	22.1	1.7	—
111		○	○		2.03	3.51	4.53	5.36	6.43	9.09	11.1	12.9	14.4	16.4	18.2	20.3	24.9	1.8	—
124		○	○		2.26	3.92	5.06	5.99	7.15	10.1	12.4	14.3	16.0	18.2	20.2	22.6	27.7	1.9	—
136	○	○	○		2.48	4.30	5.55	6.57	7.85	11.1	13.6	15.7	17.6	20.0	22.2	24.8	30.4	2.0	—
148		○	○		2.70	4.68	6.04	7.15	8.57	12.1	14.8	17.1	19.2	21.8	24.2	27.1	33.2	2.0	—
161		○	○		2.94	5.09	6.57	7.78	9.28	13.1	16.1	18.6	20.8	23.7	26.2	29.3	35.9	2.1	—
173		○	○		3.16	5.47	7.06	8.36	9.99	14.1	17.3	20.0	22.4	25.5	28.3	31.6	38.7	2.2	—
186		○	○		3.40	5.88	7.59	8.98	10.1	15.2	18.6	21.4	24.0	27.3	30.3	33.9	41.5	2.3	—
198		○	○		3.61	6.26	8.08	9.56	11.4	16.2	19.8	22.8	25.5	29.1	32.3	36.1	44.2	2.4	—
210		○	○		3.83	6.64	8.57	10.1	12.1	17.2	21.0	24.3	27.1	30.9	34.3	38.4	47.0	2.4	—
223	○		○		4.07	7.05	9.10	10.8	12.9	18.2	22.3	25.7	28.7	32.8	36.3	40.6	49.8	2.5	—
247			○		4.51	7.81	10.1	11.9	14.3	20.2	24.7	28.6	31.9	36.4	40.4	45.2	55.3	2.6	—
272			○		4.97	8.60	11.1	13.1	15.7	22.2	27.2	31.4	35.1	40.0	44.4	49.7	60.8	2.7	—
297			○		5.42	9.39	12.1	14.3	17.1	24.2	29.7	34.3	38.3	43.7	48.5	54.2	66.4	2.9	—
322	○		○		5.88	10.2	13.1	15.6	18.6	26.3	32.2	37.1	41.5	47.3	52.5	58.7	71.9	3.0	—
346			○		6.32	10.9	14.1	16.7	20.0	28.3	34.6	40.0	44.7	51.0	56.5	63.2	77.4	3.1	—
371			○		6.77	11.7	15.1	17.9	21.4	30.3	37.1	42.8	47.9	54.6	60.6	67.7	82.9	3.2	—
396			○		7.23	12.5	16.2	19.1	22.8	32.3	39.6	45.7	51.1	58.2	64.6	72.2	88.5	3.3	—
420			○		7.67	13.3	17.1	20.3	24.3	34.3	42.0	48.5	54.3	61.9	68.7	76.8	94.0	3.4	—
445	○		○		8.12	14.1	18.2	21.5	25.7	36.3	44.5	51.4	57.5	65.5	72.7	81.3	99.5	3.5	—
470			○		8.58	14.9	19.2	22.7	27.1	38.4	47.0	54.3	60.7	69.2	76.7	85.8	105	3.6	—
495			○		9.04	15.7	20.2	23.9	28.6	40.4	49.5	57.1	63.8	72.8	80.8	90.3	111	3.7	—
519			○		9.48	16.4	21.2	25.1	30.0	42.4	51.9	60.0	67.0	76.4	84.8	94.8	116	3.8	—
544			○		9.93	17.2	22.2	26.3	31.4	44.4	54.4	62.8	70.2	80.1	88.8	99.3	122	3.9	—
569	○			○	10.4	18.0	23.2	27.5	32.8	46.4	56.9	65.7	73.4	83.7	92.9	104	127	4.0	—
594				○	10.8	18.8	24.2	28.7	34.3	48.5	59.4	68.5	76.6	87.4	96.9	108	133	4.1	—
717	○			○	13.1	22.7	29.3	34.6	41.4	58.6	71.7	82.8	92.6	106	117	131	160	4.5	—
767				○	14.0	24.3	31.3	37.0	44.3	62.6	76.7	88.5	99.0	113	125	140	171	4.6	—
890	○			○	16.2	28.1	36.3	43.0	51.4	72.7	89.0	103	115	131	145	163	199	5.0	—
1040	○			○	19.0	32.9	42.5	50.2	60.0	84.8	104	120	134	153	170	190	232	5.4	—

●: Available with or without strainer ○: Only available without strainer

CP Series with Small Orifice Diameter Made-to-Order

Small orifice diameter CP Series

Orifice diameter code	Pipe connection size		Spray capacity (L/min)												Strainer mesh size
	R1/8	R1/4	1 MPa	2 MPa	2.5 MPa	3 MPa	3.5 MPa	4 MPa	4.5 MPa	5 MPa	6.5 MPa	8 MPa	10 MPa	15 MPa	
∅0.1	●	●	0.020	0.028	0.031	0.034	0.037	0.039	0.042	0.044	0.050	0.056	0.062	0.076	200
∅0.15	●	●	0.044	0.063	0.070	0.077	0.083	0.089	0.094	0.099	0.113	0.126	0.141	0.172	200
∅0.2	●	●	0.08	0.11	0.13	0.14	0.15	0.16	0.17	0.18	0.20	0.22	0.25	0.31	200
∅0.25	●	●	0.12	0.18	0.20	0.22	0.23	0.25	0.26	0.28	0.32	0.35	0.39	0.48	200
∅0.3	●	●	0.18	0.25	0.28	0.31	0.33	0.36	0.38	0.40	0.46	0.51	0.56	0.69	150
∅0.4	●	●	0.32	0.45	0.50	0.55	0.59	0.63	0.67	0.71	0.81	0.90	1.00	1.23	150
∅0.5	●	●	0.50	0.70	0.79	0.86	0.93	0.99	1.05	1.11	1.27	1.40	1.57	1.92	100
∅0.6	●	●	0.72	1.01	1.13	1.24	1.34	1.43	1.52	1.60	1.83	2.02	2.26	2.77	100
∅0.7	●	●	0.97	1.37	1.53	1.68	1.81	1.94	2.06	2.17	2.47	2.74	3.07	3.76	50
∅0.8	●	●	1.27	1.80	2.01	2.20	2.38	2.54	2.69	2.84	3.24	3.59	4.02	4.92	50

●: Available with or without strainer

[Note] The above nozzles are manufactured for specific orifice diameters, therefore the spray capacity is not guaranteed.

Solid Stream

HOW TO ORDER

To inquire about or order a specific nozzle please refer to this coding system.

CP/CCP Series with spray capacity code

Example: 1/8M CP 25 AL99-S303 W

1/8M	CP	25	AL99-S303	W
Pipe conn. size ²	Series	Spray capacity code	Material ³	Strainer
■ 1/8M	■ CCP	■ 25	■ S303	■ W (with strainer)
■ 1/4M	■ CP	∩	■ AL99-S303	■ (Blank indicates "without strainer")
■ 3/8M		■ 1040		

Small orifice diameter CP Series

Example: 1/8M CP ∅0.1 S303 W

1/8M	CP	∅0.1	S303	W
Pipe conn. size ²		Orifice diameter code	Material ³	Strainer
■ 1/8M		■ ∅0.1	■ S303	■ W (with strainer)
■ 1/4M		∩	■ AL99-S303	■ (Blank indicates "without strainer")
		■ ∅0.8		

*2) "M" indicates male thread ("R" of the ISO standard), e.g. 1/8M = R1/8.

*3) Material code "AL99-S303" is for the CP series with spray capacity code 25-210 or orifice diameter code ∅0.5-∅0.8.

The small orifice diameter CP series is made-to-order.