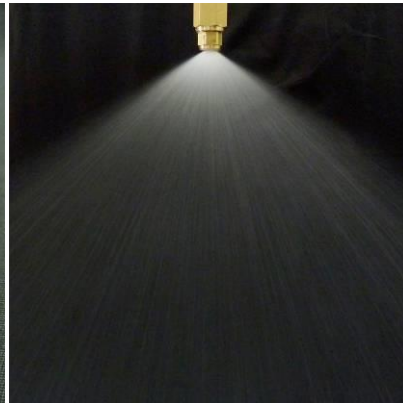




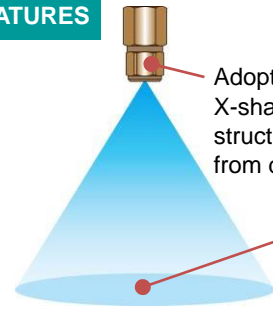
JJX
series

3-piece Structure Standard Full Cone Spray Nozzles

Made-to-Order



FEATURES



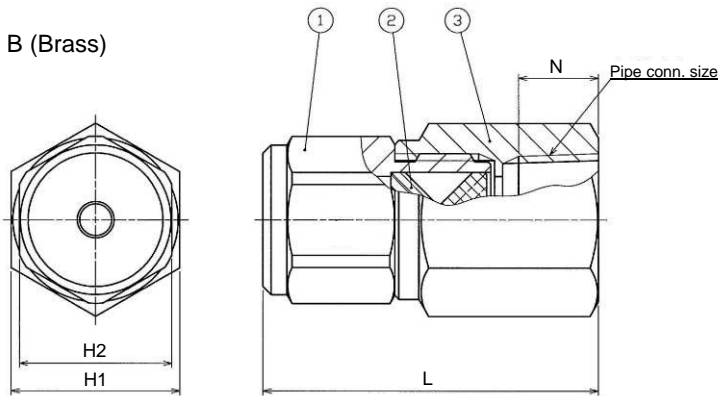
Adopts minimal clogging X-shaped whirler. Three-piece structure prevents the whirler from dropping off.

Full cone spray pattern with a round impact area and uniform distribution.

Applications: Continuous casted steel cooling

DIMENSIONS

Material: B (Brass)



- ① Nozzle body
- ② Whirler
- ③ Adaptor

Pipe conn. size	Outer dimensions (mm)				Weight (g)
	L	H1	H2	N	
Rc1/4	35	17	16	10	49
Rc3/8 (065-10)	40	21	16	11	78
Rc3/8 (12-22)	42	21	19	11	82

Figures in () after the pipe connection size indicate the spray capacity code.

PERFORMANCE CHART

Spray angle code	Spray capacity code	Pipe conn. size		Spray capacity at 0.5 MPa (L/min)
		Rc1/4	Rc3/8	
67	065	○	○*	6.5
	080	○	○*	8.0
	10	○	○*	10.0
	12		○	12.0
	15		○	15.0
	20		○	20.0
90	065	○	○*	6.5
	080	○	○*	8.0
	10	○	○*	10.0
	12		○	12.0
	15		○	15.0
	20		○	20.0
110	065	○	○*	6.5
	080	○	○*	8.0
	10	○	○*	10.0
	12		○	12.0
	15		○	15.0
	20		○	20.0
	22		○	22.0

HOW TO ORDER Please inquire or order for a specific nozzle using this coding system.

Example: 3/8x1/4F JJX 6710 B

Pipe conn. size**	Series	Spray angle code	Spray capacity code	Material
3/8x1/4F	JJX	67	10	B
· 1/4F		· 67	· 065	· B (Brass)
· 3/8x1/4F		· 90	}	
· 3/8F		· 110	· 22	

*Pipe connection size code for 3/8F is indicated as “3/8x1/4F” when the spray capacity code is 065, 080, or 10.

**“F” indicates female thread (“RC” of the ISO standard), e.g. 1/4F = Rc1/4.

Please feel free to send any inquiry, request for information or quote regarding this product to the contact below.



“The Fog Engineers”

H. IKEUCHI & CO., LTD.

Headquarters

Daiichi Kyogyo Bldg., 1-15-15, Awaza, Nishi-ku, Osaka 550-0011, Japan
Tel: 81-6-6538-4015 Fax: 81-6-6538-4022
Email: overseas@kirinoikeuchi.co.jp

We have branches and affiliate companies around the world—in China, the USA, the Netherlands, Thailand, Indonesia, and more. Please see our website for the nearest contact.

<https://www.kirinoikeuchi.co.jp/eng/company/location/>