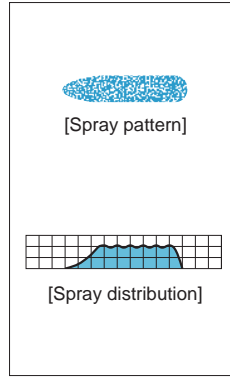


Quick-detachable Off-center Even Flat Spray Nozzles

INOVVE

Flat Spray



- Off-center flat spray pattern with uniform distribution.
- In addition to the benefits of the OVVEP series, INOVVE is easy to install and remove—just turning the nozzle tip until it clicks. No need to adjust the spray direction.
- Made of highly chemical and heat resistant polypropylene.

[STANDARD PRESSURE]
0.3 MPa

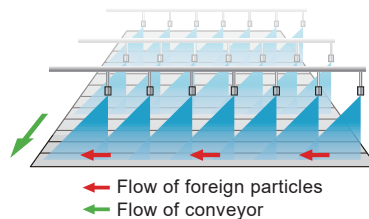
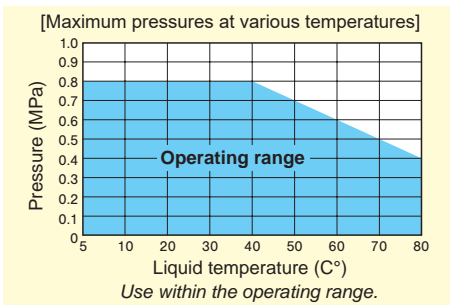
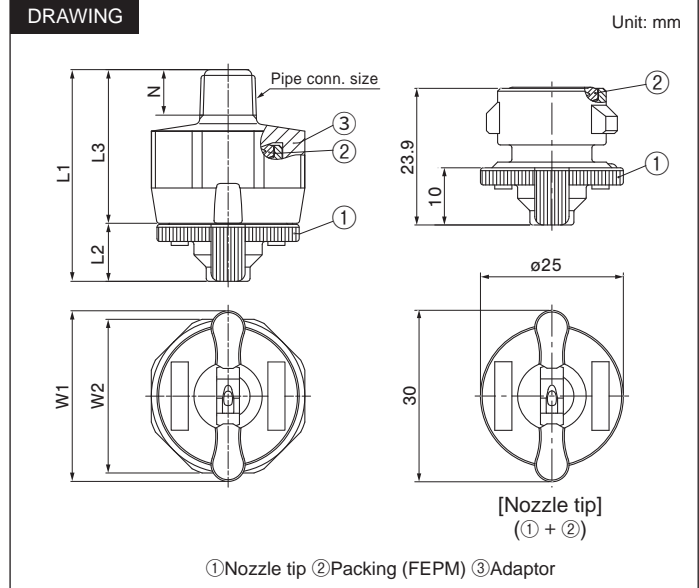
[APPLICATIONS]
Cleaning, rinsing, etching

Structure	<ul style="list-style-type: none"> • Two-piece structure including a nozzle tip with packing and an adaptor. • Easy installation and removal of the nozzle tip with a twist of about 60°.
Material	<ul style="list-style-type: none"> • Nozzle tip: PP • Adaptor: PP or PPS • Packing: FEPM

Pipe conn. size	Dimensions (mm)						Weight (g)	
	L1	L2	L3	W1	W2	N	PP	PPS
R1/8	37	10	27	30	27	8	9	12
R1/4	40	10	30	30	27	11.5	10	13
R3/8	40	10	30	30	27	12	11	14

[Note] Appearance and dimensions may differ slightly depending on material and nozzle code.

DRAWING



Spraying in one direction prevents accumulation of spray fluid and foreign particles.

Spray capacity code	Pipe connection size			Spray angle (°)			Spray capacity (L/min)				Mean droplet diameter (µm)	Free passage diameter (mm)	Nozzle tip color
	R1/8	R1/4	R3/8	0.15 MPa	0.3 MPa	0.5 MPa	0.15 MPa	0.3 MPa	0.5 MPa	0.7 MPa			
30	○	○	○	42	45	46	2.12	3.00	3.88	4.58	600 800	1.0	■
50	○	○	○	42	45	46	3.54	5.00	6.46	7.64		1.3	■

HOW TO ORDER

To inquire about or order a specific nozzle please refer to this coding system.

① Complete Assembly

Example: 1/4M INOVVE 4530 PP (FEPM) + PP

1/4M	INOVVE 45	30	PP (FEPM)	+	PP
Pipe conn. size*		Spray capacity code	Nozzle tip material (packing: FEPM)		Adaptor material
<input type="checkbox"/> 1/8M <input checked="" type="checkbox"/> 1/4M <input type="checkbox"/> 3/8M		<input type="checkbox"/> 30 <input checked="" type="checkbox"/> 50			<input type="checkbox"/> PP <input checked="" type="checkbox"/> PPS

② Nozzle Tip Only (with packing)

Example: INOVVE 4530 PP (FEPM)

INOVVE 45	30	PP (FEPM)
	Spray capacity code	Nozzle tip material (packing: FEPM)
	<input type="checkbox"/> 30 <input checked="" type="checkbox"/> 50	

- ③ Adaptor is available for purchase separately.
- ④ You can change a nozzle tip to a plug tip if needed. See page 22 for Quick-detachable IN Plug series.

**M" indicates male thread ("R" of the ISO standard), e.g. 1/8M = R1/8.