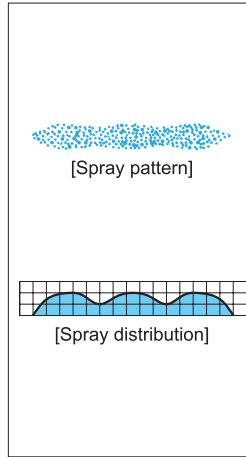


Wide-angle Flat Spray Nozzles for Ultra-low Pressure Spraying

LYYP



[Features]

- Wide-angle flat spray with uniform distribution.
- Capable of low operating pressures (0.015 MPa).
- Low spray impact and volume, resulting in no bubbles on the spray surface.
- Oil-free product.

[Standard Pressure]

0.015 MPa

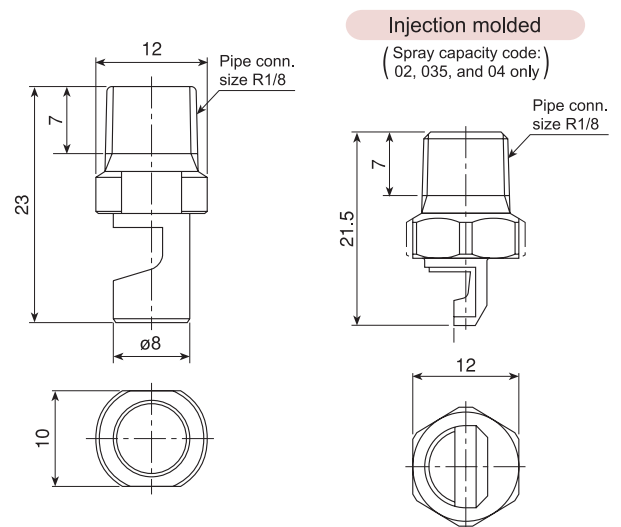
[Applications]

Spraying developing solution for semi-conductor manufacturing processes, ultra-low volume spray for pharmaceutical manufacturing processes, chemical spraying to surface treated steel plates

Flat Spray

LYYP series

| LYYP series | |
|-------------|---|
| Structure | • Made of plastic, one-piece structure. |
| Material | • PVC • Optional material: S316 or PCTFE |
| Mass | • 1.5 g |



[Note] Appearance and dimensions may differ slightly depending on materials and nozzle codes.

| Spray capacity code | LYYP | LYYP (Injection molded) | Spray angle (°) | | | Spray capacity (ℓ/min) | | | | | | Mean droplet diameter (μm) | Free passage diameter (mm) | | |
|---------------------|------|-------------------------|-----------------|-----------|----------|------------------------|----------|-----------|-----------|----------|----------|----------------------------|----------------------------|----------|-----|
| | | | 0.01 MPa | 0.015 MPa | 0.02 MPa | 0.008 MPa | 0.01 MPa | 0.012 MPa | 0.015 MPa | 0.02 MPa | 0.03 MPa | | | 0.04 MPa | |
| 02 | | ○ | — | 70 | 77 | — | — | 0.18 | 0.20 | 0.23 | 0.28 | 0.33 | 850 | 0.9 | |
| 025 | ○ | | 67 | 80 | 87 | — | 0.20 | 0.22 | 0.25 | 0.29 | 0.35 | 0.41 | | 1.0 | |
| 03 | ○ | | 77 | 90 | 97 | 0.22 | 0.24 | 0.27 | 0.30 | 0.35 | 0.42 | 0.49 | | 1.0 | |
| 035 | | ○ | 87 | 100 | 107 | 0.26 | 0.29 | 0.31 | 0.35 | 0.40 | 0.49 | 0.57 | | 1.1 | |
| 04 | | ○ | 88 | 100 | 108 | 0.29 | 0.33 | 0.36 | 0.40 | 0.46 | 0.57 | 0.65 | | 1.3 | |
| 05 | ○ | | 97 | 110 | 117 | 0.37 | 0.41 | 0.45 | 0.50 | 0.58 | 0.71 | 0.82 | | 1,350 | 1.3 |
| 06 | ○ | | 107 | 120 | 127 | 0.44 | 0.49 | 0.54 | 0.60 | 0.69 | 0.85 | 0.98 | | | 1.4 |
| 07 | ○ | | 107 | 120 | 127 | 0.51 | 0.57 | 0.63 | 0.70 | 0.81 | 0.99 | 1.14 | | | 1.6 |
| 08 | ○ | | 108 | 120 | 128 | 0.58 | 0.65 | 0.72 | 0.80 | 0.92 | 1.13 | 1.31 | | | 1.7 |
| 10 | ○ | | 108 | 120 | 128 | 0.73 | 0.82 | 0.89 | 1.00 | 1.15 | 1.41 | 1.63 | | | 1.9 |

[Note] LYYP series nozzles are guaranteed for spray angle within -5° to +10° of the rated angle and for spray capacity within +/-10% of the rated capacity under the standard pressure.

How to order

Please inquire or order for a specific nozzle using this coding system.

① LYYP series

⟨Example⟩ 1/8M LYYP 025 PVC

1/8M LYYP 025 PVC

| |
|---------------------|
| Spray capacity code |
| ■ 025 |
| ∩ |
| ■ 10 |

② LYYP (Injection molded) series

⟨Example⟩ 1/8M LYYP 02 PVC-IN

1/8M LYYP 02 PVC-IN

| |
|---------------------|
| Spray capacity code |
| ■ 02 |
| ■ 035* |
| ■ 04 |

*When spray capacity code is 035, the nozzle description is 1/8MLYYP035PVC (Injection-molded).