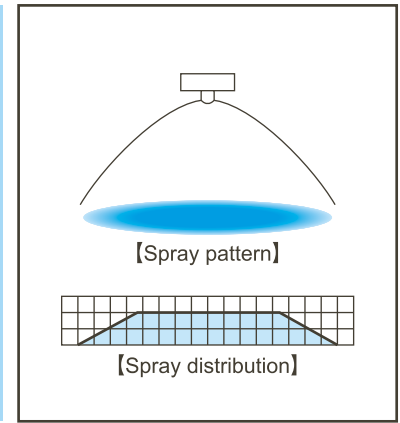


Clog-resistant Flat Spray Fine Fog Nozzles

SETOV

Features

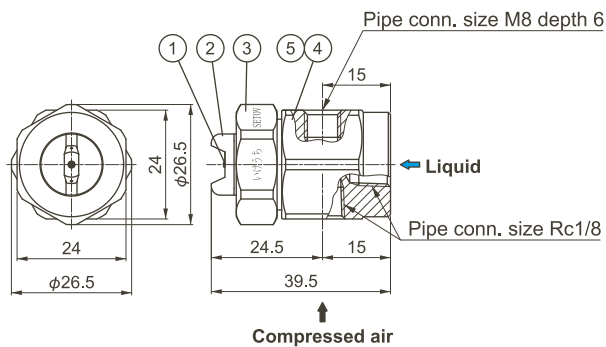
- Flat spray pattern with fine droplet diameter. External mixing type.
- Liquid siphon feed type (liquid pressure device is not required).
- Spray capacity increases or decreases in proportion to the air pressure.
- No dripping from the nozzles at spray shut off.



Structure & Materials

■ SETOV series with T-type Adaptor

Mass: approx. 120 g

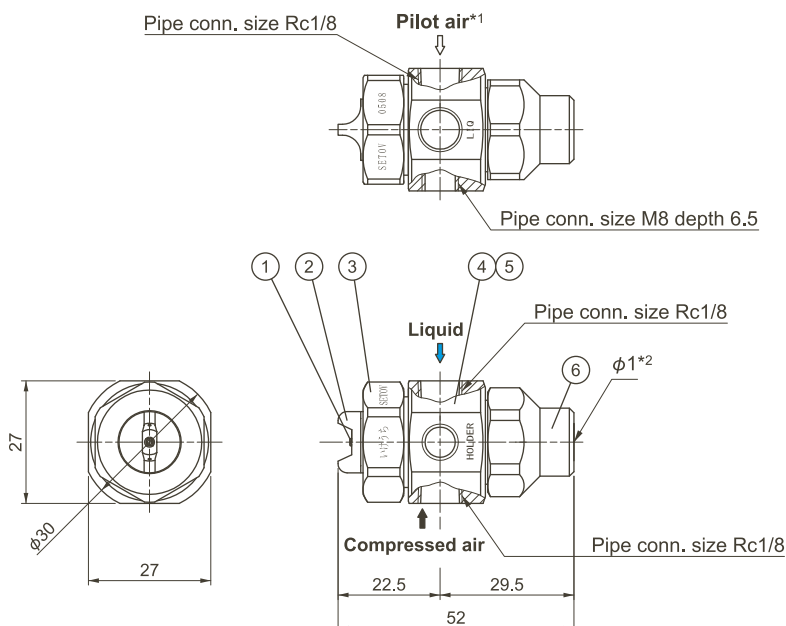


■ Components and materials

No.	Components	Standard materials
①	Nozzle tip	S303
②	Nozzle body	S303
③	Cap	S303
④	Adaptor	S303
⑤	O-ring	FKM

■ SETOV series with SP- or SN-type Adaptor

Mass: approx. 140 g



■ Components and materials

No.	Components	Standard materials
①	Nozzle tip	S303
②	Nozzle body	S303
③	Cap	S303
④	Adaptor	S303
⑤	Packing	NBR, FKM, PTFE
⑥	Spring cap	S303

*1) No pilot air for SN-type adaptor.

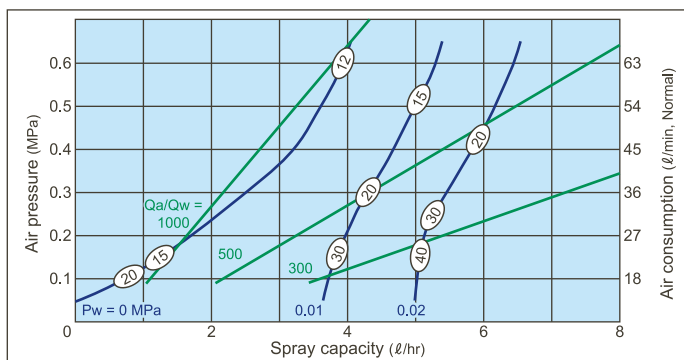
*2) Hole $\phi 1$ is for air relief.

Flow-rate Diagrams

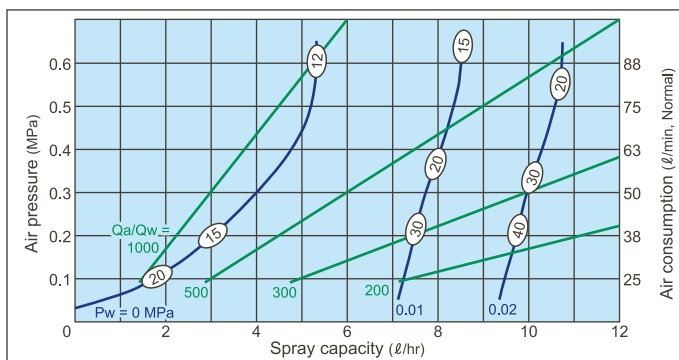
■ How to read the chart

- ① The spray capacity shown is for one nozzle.
- ② **Blue lines** (—) represent liquid pressures P_w in MPa.
Green lines (—) represent air-water ratio Q_a/Q_w .
- ③ Measured at liquid siphon height of 100 mm when P_w is 0 MPa.
- ④ Figures in ovals ○ indicate Sauter mean droplet diameters (μm) measured by laser Doppler method (measured at 300 mm from the nozzle).
- ⑤ These flow-rate diagrams are applicable only when using a T-type adaptor.

■ **SETOV0406**



■ **SETOV0508**



Spray angle *1	Air consumption code	Spray capacity code	Pipe conn. size		Air pressure (MPa)	Air consumption (ℓ/min, Normal)	Spray capacity (ℓ/hr)		Spray width *1 *3 (mm)	Mean droplet diameter*1 (μm) Laser Doppler method	Free passage diameter (mm)	
			Air	Liquid			Liquid pressure (MPa)				Liquid	Air
							0 (Siphon)*2	0.05				
65	04	06	Rc1/8		0.2	27	1.7	5.1	130	15-40	0.6	0.1
					0.3	36	2.5	5.5	130			
					0.4	45	3.2	5.8	120			
					0.5	54	3.6	6.2	115			
55	05	08			0.2	38	3.1	9.7	110			
					0.3	50	4.0	10.0	100		0.8	0.2
					0.4	63	4.8	10.3	95			
					0.5	75	5.2	10.6	95			

*1) Spray angle, spray width, and mean droplet diameter measured at liquid pressure of 0 MPa (Liquid siphon feed).

*2) Siphon height: 100 mm.

*3) Spray width measured at 100 mm from nozzle.

How to order

Please inquire or order for a specific nozzle using this coding system.

<Example> SETOV 0406 S303 + TS303

SETOV **04 06** S303 + **T** S303

Air consumption code & Spray capacity code

- 0406
- 0508

Type of adaptor

- T
- SP
- SN

Please see pages 23-25 for details of adaptors.

Adaptor type SP is used in the same way as SPB. Adaptor type SN is used in the same way as SNB.