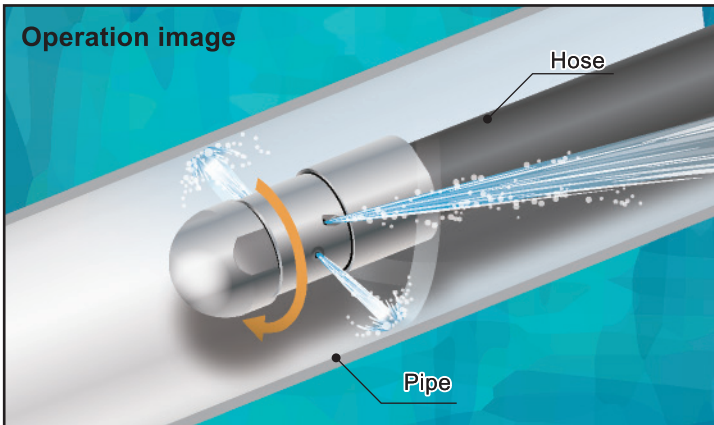


High-Pressure Rotating Pipe Cleaning Nozzles

RSP-R



[Features]

- Rotating by spray reaction force. Self-moving inside the pipe.
- Rotating solid stream jets with a high spray impact clean thoroughly the entire inner surface of a pipe.
- Compact design. Made of special stainless steel with excellent wear resistance.

[Standard pressure]

1 MPa

Operating pressure range: 1–10 MPa

[Applications]

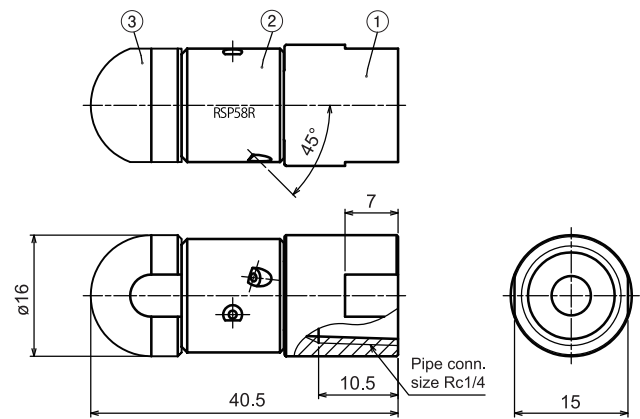
Cleaning inside pipes (drains, distribution pipes), Removing scale and dirt inside tubes of heat exchangers and cooling machines

Solid Stream

RSP-R series

RSP-R series	
Structure	<ul style="list-style-type: none"> • Made of metal. • Comprises a connecting adaptor, nozzle body, and cap.
Material	<ul style="list-style-type: none"> • HS (Hardened stainless steel)
Mass	<ul style="list-style-type: none"> • 40 g

Max. allowable temperature is 150°C (300°F).

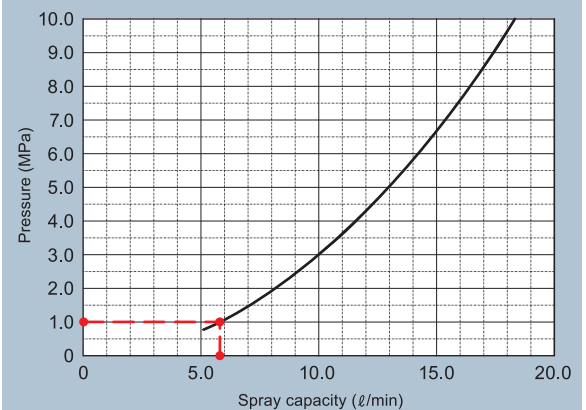


[Note] Appearance and dimensions may differ slightly depending on materials and nozzle codes.

①Connecting adaptor ②Nozzle body (Rotating part) ③Cap

Spray capacity (ℓ/min)			
1 MPa	2 MPa	5 MPa	10 MPa
5.8	8.2	13.0	18.3

Flow-rate diagram



How to order

Please inquire or order using this product code.

1/4F RSP 58R HS