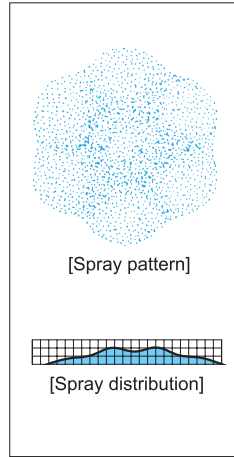


Seven-head Full Cone Spray Nozzles

Extremely fine atomization

7KB

Full Cone



[Features]

- Full cone spray nozzle with an almost round-shaped spray area.
- Produces fine atomization.
- Seven KB hollow cone spray nozzles are installed in a very compact header adaptor.
- KB series nozzles with ceramic whirl chambers and orifices provide excellent wear-resistance.

[Standard pressure]

0.7 MPa

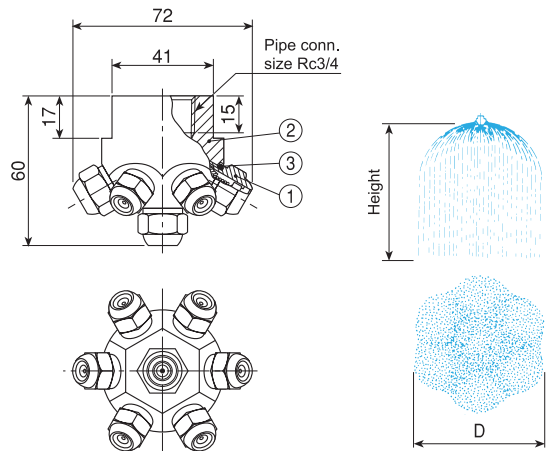
[Applications]

- Gas cooling • Cleaning
- Moisture control • Humidification
- Dust suppression

7KB series

7KB series (with ceramic orifice inserted)	
Structure	<ul style="list-style-type: none"> • 7 pcs. of KB series hollow cone spray nozzles (spray angle code 60°) are screwed into a header adaptor. • Nozzle orifice and closer are made of ceramics. • Each KB series nozzle has a built-in strainer.
Material	<ul style="list-style-type: none"> • Nozzle orifice & closer: ceramic • Metal parts: S303 or B (brass) • Optional material: S316
Mass	<ul style="list-style-type: none"> • S303: 370 g • B (brass): 390 g

[Note] Appearance and dimensions may differ slightly depending on materials and nozzle codes.



①KB series nozzle ②Header adaptor ③O-ring (NBR)

See the chart below for spray dimension D.

Spray capacity code	Spray angle (°)			Spray dimension D (m) at each spray height (at 0.7 MPa)				Spray capacity (ℓ/min)							Mean drop. dia. (μm)	Free pass. dia. (mm)	Strainer mesh size		
	0.3 MPa	0.7 MPa	1 MPa	0.5 m	1.0 m	1.5 m	2.0 m	0.3 MPa	0.4 MPa	0.5 MPa	0.6 MPa	0.7 MPa	1 MPa	1.2 MPa				1.5 MPa	2 MPa
023	—	180	180	0.51	0.65	0.66	—	—	0.18	0.20	0.22	0.23	0.28	0.31	0.34	0.39	45	0.15	200
054	—	180	180	0.56	0.75	0.80	0.80	—	0.41	0.45	0.50	0.54	0.64	0.70	0.79	0.91	50	0.15	200
124	—	180	180	0.61	0.82	0.88	0.88	—	0.93	1.05	1.15	1.24	1.48	1.62	1.81	2.09	75	0.30	150
544	173	180	180	0.80	1.14	1.32	1.40	3.56	4.11	4.60	5.04	5.44	6.50	7.12	7.96	9.19	∅	0.50	100
1087	174	180	180	0.99	1.37	1.60	1.70	7.12	8.22	9.19	10.1	10.9	13.0	14.2	15.9	18.4	210	0.60	100

[Note] 7KB series nozzles are guaranteed only for spray capacity under the standard pressure.

How to order

Please inquire or order for a specific nozzle using this coding system.

〈Example〉 3/4F 7KB 023 S303

3/4F 7KB 023 S303

Spray capacity code	Material
■ 023	■ S303
∪	■ B
■ 1087	