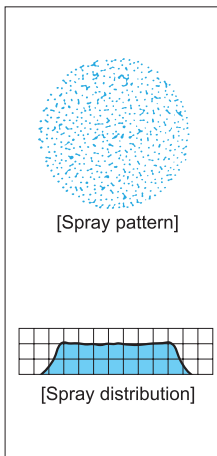
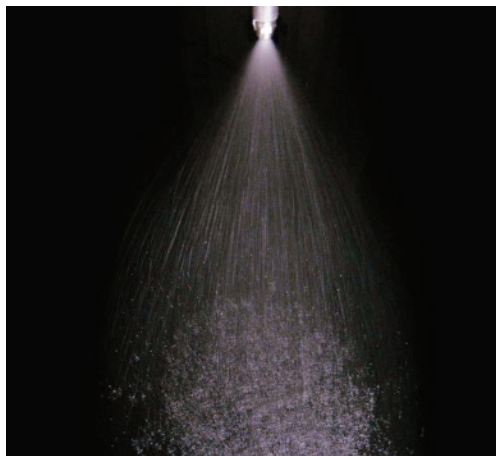


# Small Capacity Full Cone Spray Nozzles

J

Full Cone



### [Features]

- Full cone spray pattern with a round impact area and uniform distribution.
- Features smallest spray capacity among our full cone spray nozzles.
- Ceramic orifice and closer provide excellent wear-resistance.

### [Standard pressure]

0.5 MPa for spray capacity codes of 006 and 008.  
0.2 MPa for spray capacity codes of 010 and over.

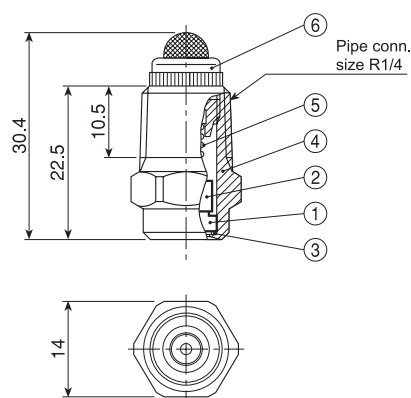
### [Applications]

Spraying: Oils, lubricants, glues, etchants  
Cleaning: Galvanizing, gas  
Cooling: Machinery, gas

## J series

| J series (with ceramic orifice inserted) |   |
|--|---|
| Structure                                | <ul style="list-style-type: none"> <li>• Nozzle orifice and closer are made of ceramics.</li> <li>• All models include built-in strainers.</li> </ul>                 |
| Material                                 | <ul style="list-style-type: none"> <li>• Nozzle orifice &amp; closer: ceramic</li> <li>• Nozzle body: S303 or B (brass)</li> <li>• Optional material: S316</li> </ul> |
| Mass                                     | <ul style="list-style-type: none"> <li>• S303: 17.5 g</li> <li>• B (brass): 18.5 g</li> </ul>   |

[Note] Appearance and dimensions may differ slightly depending on materials and nozzle codes.



- ① Ceramic orifice ② Ceramic closer ③ Packing (PTFE)  
④ Nozzle body ⑤ Spring (S316)  
⑥ Strainer (S303+S304 or B+S304)

| Spray capacity code | Spray angle (°) |         |         | Spray capacity (ℓ/min) |          |         |         |         |         |       |         |       | Mean droplet diameter (μm) | Free passage diameter (μm) | Strainer mesh size |
|---------------------|-----------------|---------|---------|------------------------|----------|---------|---------|---------|---------|-------|---------|-------|----------------------------|----------------------------|--------------------|
|                     | 0.1 MPa         | 0.2 MPa | 0.5 MPa | 0.1 MPa                | 0.15 MPa | 0.2 MPa | 0.3 MPa | 0.5 MPa | 0.7 MPa | 1 MPa | 1.5 MPa | 2 MPa |                            |                            |                    |
| 006                 | —               | —       | 70      | —                      | —        | —       | 0.07    | 0.09    | 0.10    | 0.12  | 0.14    | 0.16  | 130                        | 0.2                        | 200                |
| 008                 | —               | —       | 70      | —                      | —        | —       | 0.09    | 0.12    | 0.14    | 0.16  | 0.19    | 0.22  | 140                        | 0.2                        | 200                |
| 010                 | —               | 70      | 65      | —                      | 0.09     | 0.10    | 0.12    | 0.15    | 0.17    | 0.20  | 0.24    | 0.28  | 160                        | 0.3                        | 200                |
| 012                 | —               | 70      | 65      | —                      | 0.10     | 0.12    | 0.14    | 0.18    | 0.21    | 0.25  | 0.29    | 0.33  | 190                        | 0.3                        | 200                |
| 015                 | —               | 70      | 65      | —                      | 0.13     | 0.15    | 0.18    | 0.23    | 0.26    | 0.31  | 0.37    | 0.42  | 170                        | 0.3                        | 200                |
| 020                 | 60              | 70      | 65      | 0.14                   | 0.17     | 0.20    | 0.24    | 0.30    | 0.35    | 0.41  | 0.49    | 0.56  | ∩                          | 0.3                        | 200                |
| 025                 | 65              | 70      | 67      | 0.18                   | 0.22     | 0.25    | 0.30    | 0.38    | 0.44    | 0.51  | 0.61    | 0.70  | 230                        | 0.3                        | 200                |
| 030                 | 67              | 70      | 68      | 0.22                   | 0.26     | 0.30    | 0.36    | 0.45    | 0.52    | 0.61  | 0.73    | 0.83  | 220                        | 0.4                        | 150                |
| 040                 | 67              | 70      | 68      | 0.29                   | 0.35     | 0.40    | 0.48    | 0.60    | 0.70    | 0.82  | 0.98    | 1.11  | ∩                          | 0.4                        | 150                |
| 050                 | 68              | 70      | 68      | 0.36                   | 0.44     | 0.50    | 0.60    | 0.75    | 0.87    | 1.02  | 1.22    | 1.39  | 290                        | 0.5                        | 150                |
| 060                 | 68              | 70      | 68      | 0.43                   | 0.52     | 0.60    | 0.72    | 0.90    | 1.05    | 1.23  | 1.47    | 1.67  | 280                        | 0.5                        | 150                |
| 070                 | 68              | 70      | 68      | 0.51                   | 0.61     | 0.70    | 0.84    | 1.05    | 1.22    | 1.43  | 1.71    | 1.95  | ∩                          | 0.6                        | 150                |
| 080                 | 68              | 70      | 68      | 0.58                   | 0.70     | 0.80    | 0.95    | 1.19    | 1.38    | 1.61  | 1.92    | 2.18  | 350                        | 0.7                        | 150                |
| 100                 | 68              | 70      | 68      | 0.72                   | 0.87     | 1.00    | 1.19    | 1.49    | 1.72    | 2.01  | 2.40    | 2.72  | ∩                          | 0.7                        | 100                |
| 120                 | 68              | 70      | 68      | 0.87                   | 1.05     | 1.20    | 1.43    | 1.79    | 2.07    | 2.42  | 2.88    | 3.27  | ∩                          | 0.8                        | 50                 |
| 140                 | 68              | 70      | 68      | 1.01                   | 1.22     | 1.40    | 1.67    | 2.09    | 2.41    | 2.82  | 3.36    | 3.81  | 440                        | 0.9                        | 50                 |

### How to order

Please inquire or order for a specific nozzle using this coding system.

<Example> 1/4M J 006N S303W

1/4M J 006 N S303W

| Spray capacity code | Material |
|---------------------|----------|
| 006                 | S303     |
| ∩                   | B        |
| 140                 |          |