

Large flow
High pressure
Return Nozzle

SPELLBACK NOZZLE

for circulating fluidized bed flue gas desulfurization

for CFB-FGD



Min. spray capacity

Supply pressure : 3.5MPa
Spray capacity : 1t/hr (16.7L/min)
Spray angle : 130 °

Max. spray capacity

Supply pressure : 3.5MPa
Spray capacity : 10t/hr (167L/min)
Spray angle : 90 °

IKEUCHI, with over 30 years of experience in gas-cooling nozzles, has developed a new model of hydraulic high-pressure return nozzle in our SBP series:

GSPB series with large flow of 10t/hr!

**Turndown ratio of 1:10 with
minimal variation in spray droplet size**

Ideal for gas cooling!



"The Mist Engineers"

H. IKEUCHI & CO., LTD.

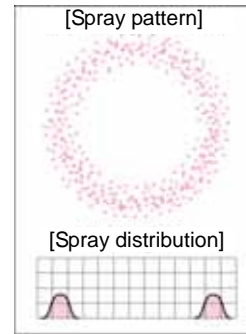
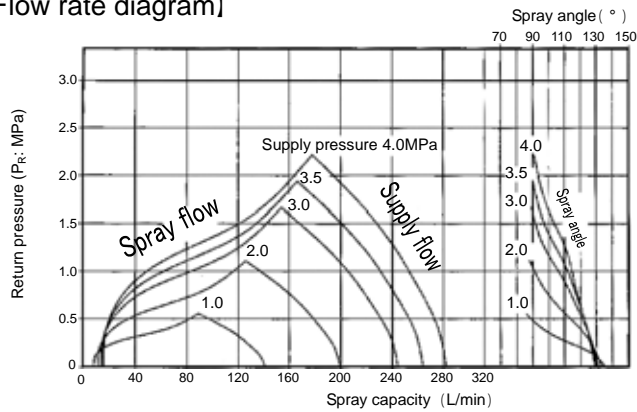
Specifications

Nozzle description			Spray capacity (L/min) at supply pressure 3.5MPa and Return pressure at				Spray angle (degrees) at supply pressure 3.5MPa and Return pressure at			Free passage diameter (mm)	Sauter mean droplet diameter * (μm)
Thread size	Series	Nozzle code	MAX (1.9MPa) (Return valve fully closed)	1.4MPa	0.7MPa	0MPa (Return valve fully open)	MAX (1.9MPa) (Return valve fully closed)	1.4MPa	0MPa (Return valve fully open)		
1*1/2F	GSPB	35*90/167	167	128	32.3	16.7	90	99	130	5.7	132 ~ 151

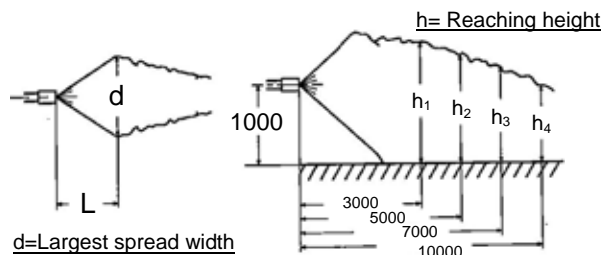
* Sauter mean droplet diameter measured by phase Doppler particle analyzer

Spray performance

[Flow rate diagram]

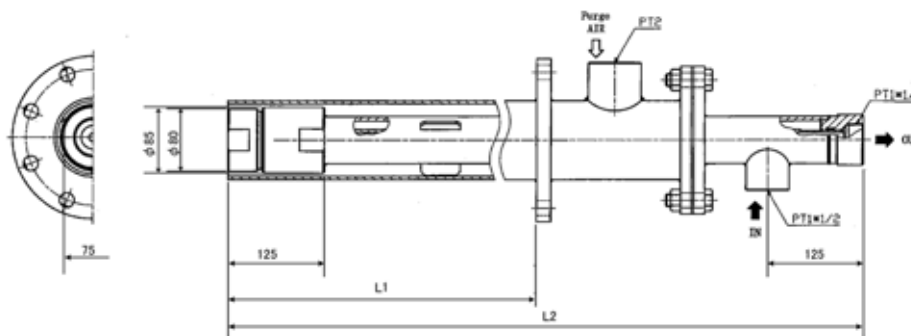


Spray dimensions



Pressure (MPa)		Spray dimensions (mm)					
Supply pressure P_s	Return pressure P_r	L	d	h_1	h_2	h_3	h_4
3.5	1.9 (MAX)	900	1000	1800	1600	1500	1400
	1.4	1100	1200	1600	1500	1400	1200
	0.7	1400	1700	1700	1400	1200	700
	0 (MIN)	1600	2300	1700	1300	1000	300

Structure, Dimensions and Materials



[Materials]

Spray tip : Tungsten carbide

Other parts : SUS316L,

SUS304, SUS440C

Protector : SUS316

[Nozzle dimensions]

Please inquire with us for the total length (L_2) and the length between the nozzle head and flange (L_1).

How to inquire/order

Please specify the total length (L_2), the length between the nozzle head and flange (L_1) and the flange size.

 "The Mist Engineers"
H. IKEUCHI & Co., LTD.
Headquarters

Daiichi Kyogyo Bldg., 1-15-15, Awaza, Nishi-ku,
Osaka 550-0011, Japan
Tel: 81-6-6538-4015 Fax: 81-6-6538-4022
e-mail: overseas@kirinoikeuchi.co.jp
URL: <http://www.kirinoikeuchi.co.jp/eng/>

IKEUCHI USA, INC.

8110 Beckett Center Drive West Chester, OH 45069 USA
Tel: 1-513-942-3060 Fax: 1-513-942-3064
e-mail: info@ikeuchiusa.com
URL: <http://www.ikeuchiusa.com/>

IKEUCHI (SHANGHAI) CO., LTD.

Room 1311, Building A, North Region Commercial Plaza,
988 Da Tong Road, Zha Bei District, Shanghai 200070,
P.R.China
Tel: 86-21-6140-9731 Fax: 86-21-6123-4239
e-mail: mist@kirinoikeuchi.com
URL: <http://www.kirinoikeuchi.com/>

IKEUCHI EUROPE B.V.

Asterweg 17 A6, 1031 HL Amsterdam,
The Netherlands
Tel: 31-20-820-2175 Fax: 31-20-820-2176
e-mail: info@ikeuchieurope.com
URL: <http://www.ikeuchieurope.com/>

Ikeuchi Taiwan Co., Ltd.

11 F-1, No.27, Sec.1, Chung Shan N. Rd.,
Taipei, Taiwan, R.O.C.
Tel: 886-2-2511-6289 Fax: 886-2-2541-6392
e-mail: sales@ikeuchi.com.tw
URL: <http://www.ikeuchi.com.tw/>