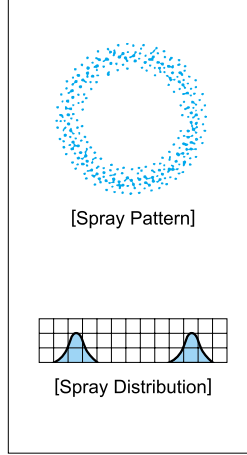


Flange-type, Large Capacity Hollow Cone Spray Nozzles

TAA



[Features]

- Stable spray pattern under low pressures owing to the involute vortex chamber design.
- Made of highly wear-resistant SiC (Silicon carbide).
- Flanged connection.
- Lightweight as made in all SiC (less than half of metal nozzle).

[Standard Pressure]

0.07MPa

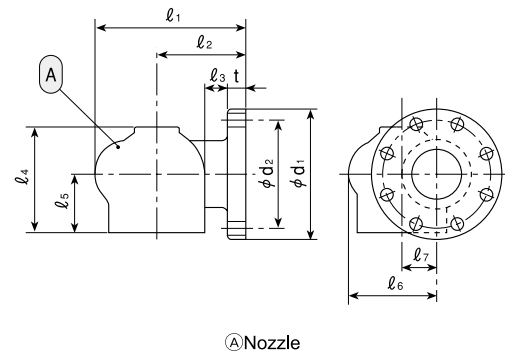
[Applications]

- Absorption tower of flue gas desulfurization equipment
- Spraying slurry, etc.

Hollow Cone

TAA-series

TAA-series															
Structure	• One-piece cast-molded ceramics. • Flanged connection.														
Material	• SiC (silicon carbide)														
Series	Flange Size	Spray Capacity Code	Dimensions(mm)										Flange (JIS10K) Qty. of bolt holes	Mass (g)	
			l_1	l_2	l_3	l_4	l_5	l_6	l_7	ϕd_1	ϕd_2 (PCD)	t			
TAA	2T	200	151	99	37	102	57	74	28	155	120	22	4	19	1800
		300	169	106	37	112	62	90	35	155	120	22	4	19	2000
	3T	400	184	114	37	129	71	100	38	185	150	24	8	19	3100
		500	202	122	37	145	82	116	45	185	150	24	8	19	3700
		650	210	125	36	150	85	124	49	185	150	24	8	19	4000
		800	210	125	36	150	85	124	49	185	150	24	8	19	4000
4T	1000	253	154	55	177	100	143	56	210	175	24	8	19	6000	
	1200	271	161	55	187	105	159	63	210	175	24	8	19	6800	



[Note] Appearance and dimensions may differ slightly depending on materials and nozzle codes.

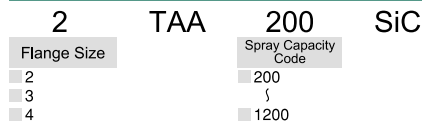
Spray Capacity Code	Flange Size			Spray Angle			Spray Capacity (ℓ/min)					Mean Drop. Dia. (μm)	Free Pass. Dia. (mm)
	2T	3T	4T	0.03 MPa	0.07 MPa	0.1 MPa	0.03 MPa	0.05 MPa	0.07 MPa	0.1 MPa	0.15 MPa		
200	○			62°	67°	69°	133	170	200	237	288	1,800	28
300	○			62°	67°	69°	199	255	300	356	432	2,100	33
400		○		62°	67°	69°	266	340	400	474	576	2,100	38
500		○		62°	67°	69°	332	425	500	592	720	2,100	41
650		○		62°	67°	69°	432	552	650	770	936	3,600	50
800		○		75°	80°	82°	532	680	800	950	1,154	3,600	57
1,000			○	75°	80°	82°	665	850	1,000	1,187	1,442	3,600	63
1,200			○	75°	80°	82°	798	1,020	1,200	1,424	1,731	3,800	68

[Note] 1. As TAA of SiC is die-cast molded, this nozzle is guaranteed for spray capacity within ±10% and for spray angle within ±7°.
2. Bolt tightening torque for connecting the flange should not exceed 3000N-cm per bolt.

How to order

Please inquire or order for a specific nozzle using this coding system.

<Example>...2TAA200SiC



Related Products

TAA nozzles made of chemical-resistant PP are also available.

Series	Appearance	Structure	Features	Series	Appearance	Structure	Features
TWAA-SiC			• Two-direction (180° opposite direction) jet type made of SiC Ceramic.	TAA-PP			• Hollow cone spray nozzle made of PP. • Chemical-resistant and lightweight.