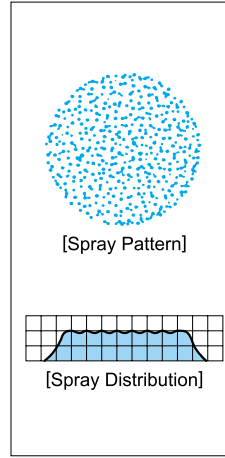


# Clog-resistant Vaneless Full Cone Spray Nozzles

# AJP-AL92

## Related Products

Clog-resistant full cone nozzle made of highly wear-resistant and chemical-resistant alumina ceramics.



### [Features]

- Full cone spray pattern with a round impact area and uniform distribution.
- Unique design to produce fine atomization by liquid impinging inside chamber without a whirler.
- No-whirler design with large free passage diameter minimizes clogging.
- Spraying axis 90° from the axis of the nozzle inlet.
- Right angle nozzle suitable for installation in narrow space.

### [Standard Pressure]

0.2MPa

### [Applications]

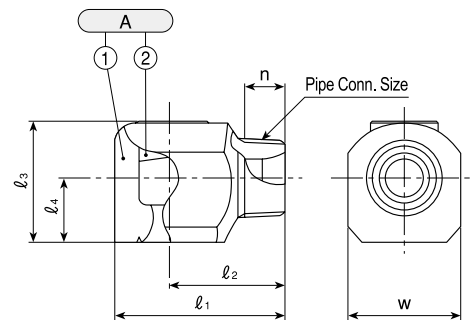
- Absorption tower of flue gas desulfurization equipment.
- Spraying slurry, etc.

Full Cone

## AJP-AL92 series

AJP-AL92 series	
Structure	<ul style="list-style-type: none"> <li>• Whole nozzle fired as one piece.</li> <li>• No obstructions in nozzle interior.</li> </ul>
Material	• 92% Alumina

\* If installed into a metal header, this nozzle should be used with a socket made of SUS316, shown on page 86 (otherwise, the thread may be damaged). Please refer to page 86.



Ⓐ Nozzle ( ①Ceramic body-Al<sub>2</sub>O<sub>3</sub> 92% )  
( ②Ceramic plate-Al<sub>2</sub>O<sub>3</sub> 92% )

Series	Pipe Conn. Size	Dimensions(mm)						Mass(g)
		$l_1$	$l_2$	$l_3$	$l_4$	w	n	
AJP-AL92	1/2M	49.5	33.5	36	18	32	14	120
	3/4M	59	39	44	22	41	15	220
	1M	76	50	54	28	50	18	450
	1 1/2M	106	70	80.5	43.5	75	20	1600

[Note] Appearance and dimensions may differ slightly depending on materials and nozzle codes.

