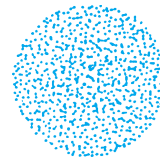


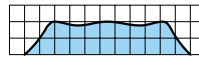
All Alumina Ceramic Full Cone Spray Nozzles

JUXP-AL92

Full Cone



[Spray Pattern]



[Spray Distribution]

[Features]

- X-shaped whirler provides large free passage diameter for minimal clogging.
- Whirler and orifice are made of high-purity alumina and provide excellent wear-resistance.
- Spray capacity ranges from medium to large.

[Standard Pressure]

0.2MPa

[Applications]

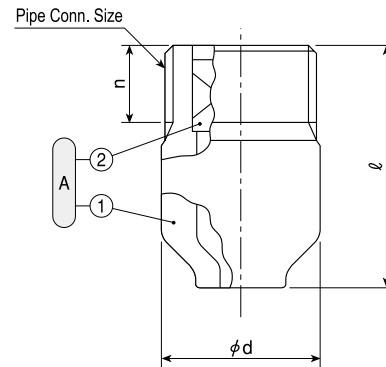
- Absorption tower of flue gas desulfurization equipment.
- Spraying slurry, etc.

JUXP-AL92 series

JUXP-AL92 series (with ceramic orifice inserted)	
Structure	• Whole nozzle fired as one piece.
Material	• 92% Alumina

* If installed into a metal header, this nozzle should be used with a socket made of SUS316, shown on page 86 (otherwise, the thread may be damaged). Please refer to page 86.

Series	Pipe Conn. Size	Dimensions(mm)			Mass(g)
		ϕd	ℓ	n	
JUXP	1M	35	53	18	110
	1½M	50	67	20	350
	2M	65	100	24	760
	2½M	80	136	29	1520
	2½M (400~550)	80	94	29	1130
	3M	90	157	31	1690



Ⓐ Nozzle (① Ceramic tip-Al₂O₃ 92%
② Ceramic whirler-Al₂O₃ 92%)

[Note] Appearance and dimensions may differ slightly depending on materials and nozzle codes.

Spray Capacity Code	Pipe Conn. Size						Spray Angle			Spray Capacity (ℓ/min)								Mean Drop. Dia. (μm)	Free Pass. Dia. (mm)	
	1M	1½M	2M	2½M	2½M (400~550)	3M	0.05 MPa	0.2 MPa	0.5 MPa	0.03 MPa	0.05 MPa	0.1 MPa	0.15 MPa	0.2 MPa	0.3 MPa	0.5 MPa	0.7 MPa			1 MPa
23	○						70°	75°	60°	9.63	12.2	16.7	20.2	23.0	27.1	33.4	38.4	44.4	630	4.7
26	○						75°	80°	65°	10.9	13.8	18.9	22.8	26.0	30.7	37.8	43.4	50.1		
30	○						80°	85°	70°	12.6	15.9	21.8	26.3	30.0	35.4	43.6	50.0	57.9	950	4.7
35	○						85°	90°	75°	14.7	18.5	25.5	30.7	35.0	41.3	50.9	58.4	67.5		
40	○						90°	95°	80°	16.8	21.2	29.1	35.1	40.0	47.2	58.1	66.7	77.2	950	4.7
45	○						90°	95°	80°	18.8	23.8	32.7	39.5	45.0	53.1	65.4	75.0	86.8		
50		○					70°	75°	60°	20.9	26.5	36.4	43.8	50.0	59.0	72.7	83.4	96.4	800	6.0
55		○					75°	80°	65°	23.0	29.1	40.0	48.2	55.0	64.9	79.9	91.7	105		
60		○					80°	85°	70°	25.1	31.8	43.7	52.6	60.0	70.8	87.2	100	115	950	6.0
70		○					85°	90°	75°	29.3	37.1	50.9	61.4	70.0	82.6	100	120	135		
80		○					90°	95°	80°	33.5	42.4	58.2	70.1	80.0	94.4	115	135	155	1150	6.6
90		○					90°	95°	80°	37.7	47.7	65.5	78.9	90.0	106	130	150	175		
100			○				80°	85°	70°	41.9	52.9	72.8	87.7	100	120	145	170	195	1000	8.7
120			○				80°	85°	70°	50.3	63.5	82.3	105	120	140	175	200	230		
150			○				85°	90°	75°	62.8	79.4	110	130	150	180	220	250	290	950	8.7
180			○				90°	95°	80°	75.4	95.3	130	160	180	210	260	300	350		
200			○				90°	95°	80°	83.8	105	145	175	200	240	290	335	385	1350	10.7
250				○			85°	90°	75°	105	130	180	220	250	295	360	420	480	1200	12.7
300				○			90°	95°	80°	125	160	220	265	300	355	435	500	580		
350				○			90°	95°	80°	150	185	255	310	350	415	510	585	675	1450	12.7

All Alumina Ceramic / Full Cone Spray Nozzles
JUXP-AL92 series

Full Cone

Spray Capacity Code	Pipe Conn. Size						Spray Angle			Spray Capacity (ℓ/min)								Mean Drop. Dia. (μm)	Free Pass. Dia. (mm)	
	1M	1½M	2M	2½M	2½M (400-550)	3M	0.05 MPa	0.2 MPa	0.5 MPa	0.03 MPa	0.05 MPa	0.1 MPa	0.15 MPa	0.2 MPa	0.3 MPa	0.5 MPa	0.7 MPa			1 MPa
400					○		75°	80°	65°	170	210	290	350	400	470	580	670	770	1300	13.4
450					○		90°	90°	75°	190	240	330	395	450	530	655	750	870	∩	13.4
500					○		95°	95°	80°	210	265	365	440	500	590	730	835	965		13.4
550					○		100°	100°	85°	230	290	400	480	550	650	800	920	1060	1550	13.4
600						○	75°	80°	65°	250	320	440	525	600	710	870	1000	1160	1500	17.0
700						○	85°	90°	75°	290	370	510	615	700	826	1020	1170	1359	1800	17.0

How to order

Please inquire or order for a specific nozzle using this coding system.

〈Example〉...1½MJUXP90AL92

1½M JUXP 90 AL92

Pipe Conn. Size

■ 1M

∩

■ 3M

Spray Capacity Code

■ 23

∩

■ 700